

Parts List

2×Beam0808-72



4×Beam0824-32



5×Beam0824-48



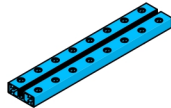
7×Beam0824-80



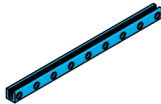
1×Beam0824-96



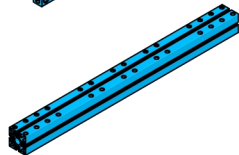
1×Beam0824-128



4×Beam0808-136



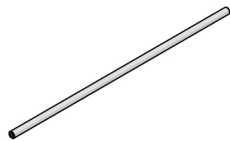
7×Beam2424-312



1×D Shaft 4x160



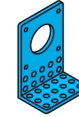
6×8mm shaft 312



4×42BYG Stepper Motor



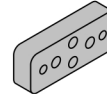
4×42BYG Stepper Motor Bracket



3×LS Bracket



2×belt clamp



2×U Bracket



2×Fully Threaded Rod M4×248



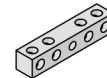
8×Shaft Collar-4mm



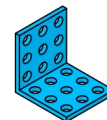
4×Timing Pulley 18T



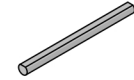
2×M4 transmission



1×Bracket 3x3



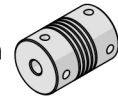
2×D Shaft 4x56



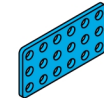
4×Flange Bearing 4x8x3



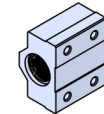
2×Flexible coupling-4x4mm



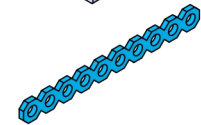
14×Plate 3x6



10×Linear Motion Slide



2×cuttable linkage



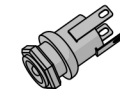
2×Open-end Timing Belt 1m



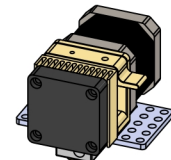
4×gasket



1×DC plugs



1×3Dprinter extruder



Parts List

34×Nylon Lock Nut M4



35×Screw M4×8



42×Screw M4×14



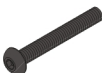
28×Screw M4×16



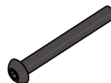
10 ×Screw M4×22



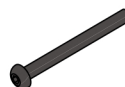
30×Screw M4×30



6 ×Screw M4×35



8 ×Screw M4×40



20×Headless Set Screw M3×5



16×Countersunk Screw M3×8



5×Philip's head screw M3×6



8×Philip's head screw M3×16



12×Nut M3



4×Brass Stud M3×12+6



4×Plastic Rivet R3075



4×platform spring



2×torsion spring



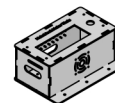
4×platform binder clips



1×3D printer bench



1×3D printer box



1×spirit level



1×Hex Screwdriver



1×Cross Screwdriver



1×Wrench



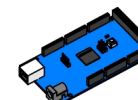
1×Hex Allen Key



4×A4988



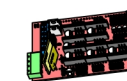
1×DCcele 2560



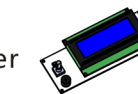
1×Power 12V10A



1×ramps1.4

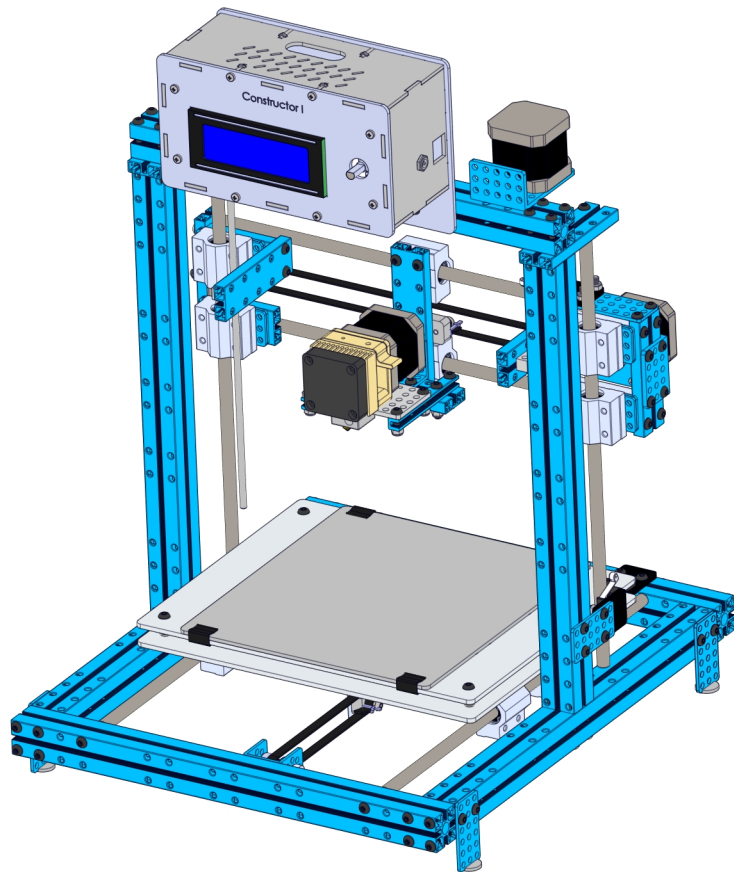


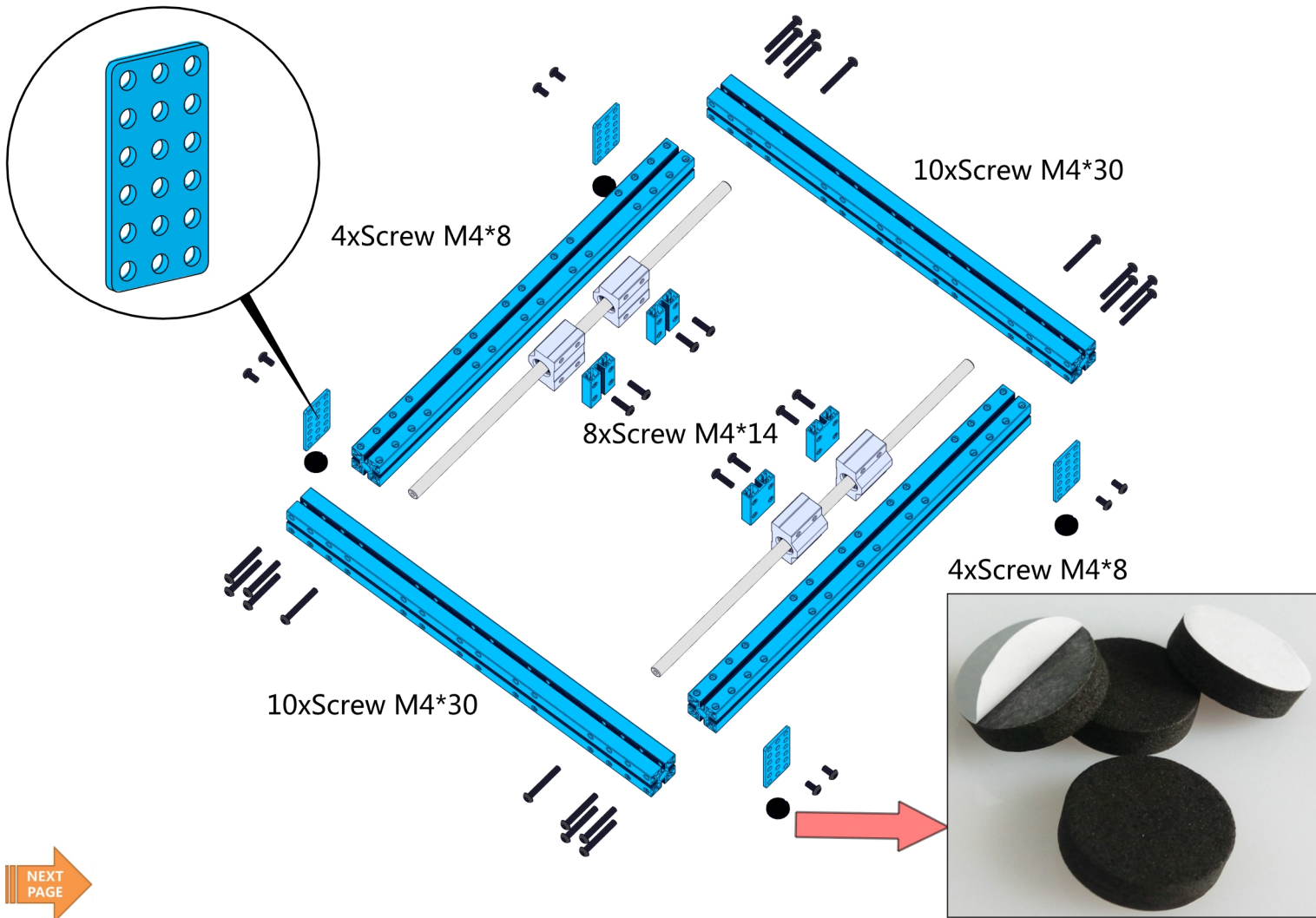
1×reprap smart controller

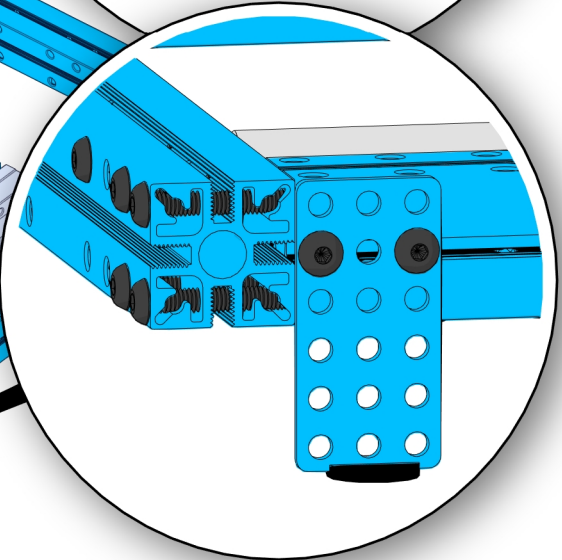
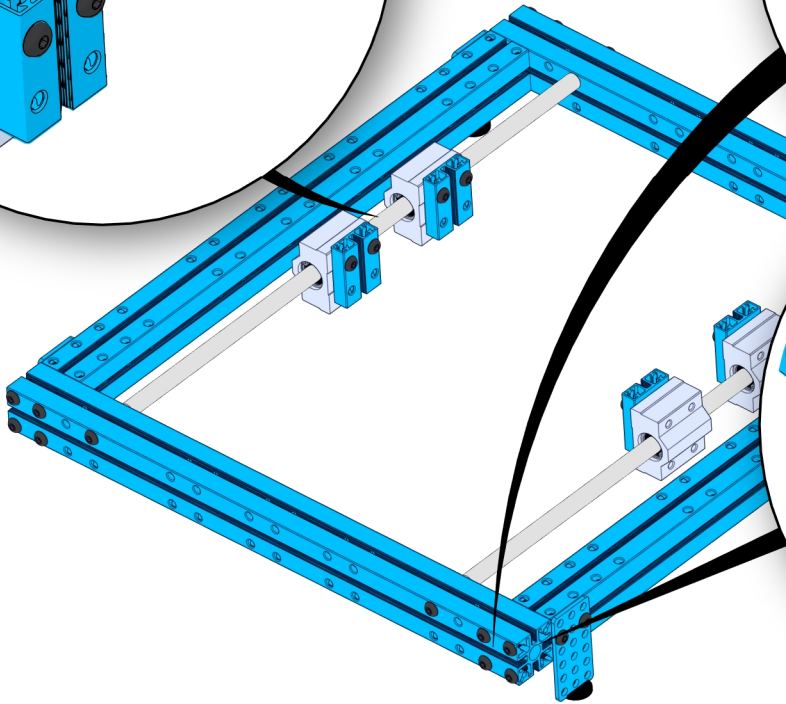
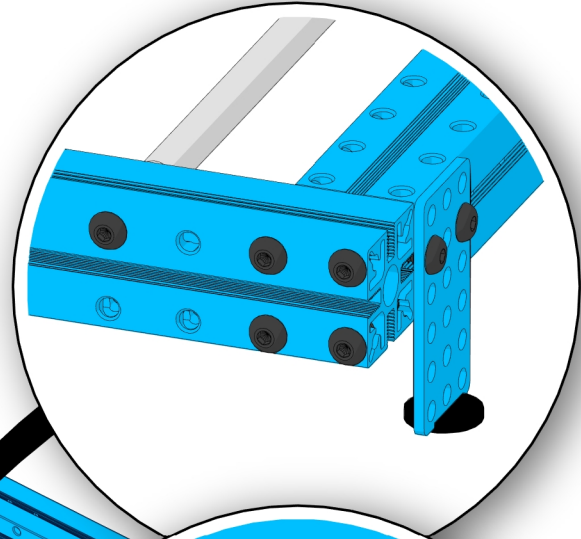
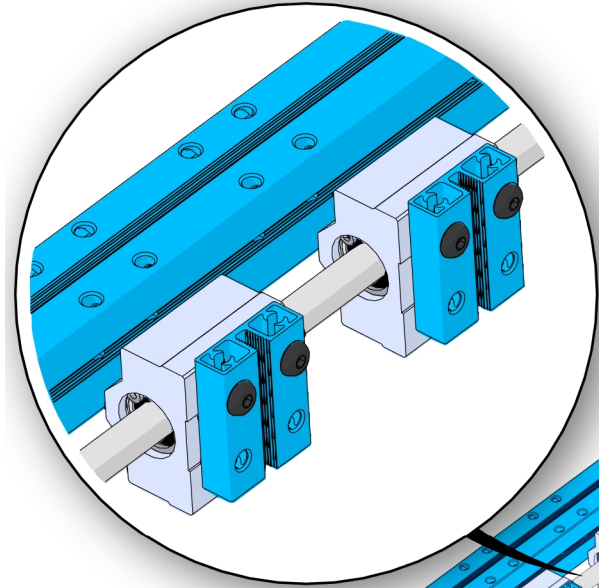


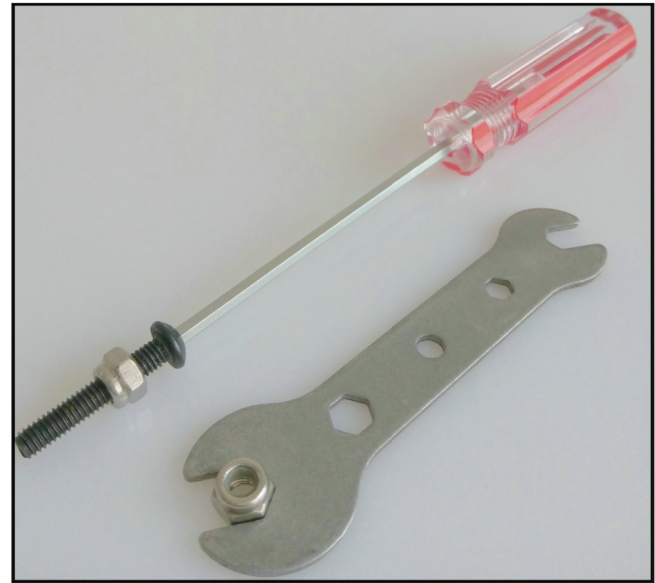
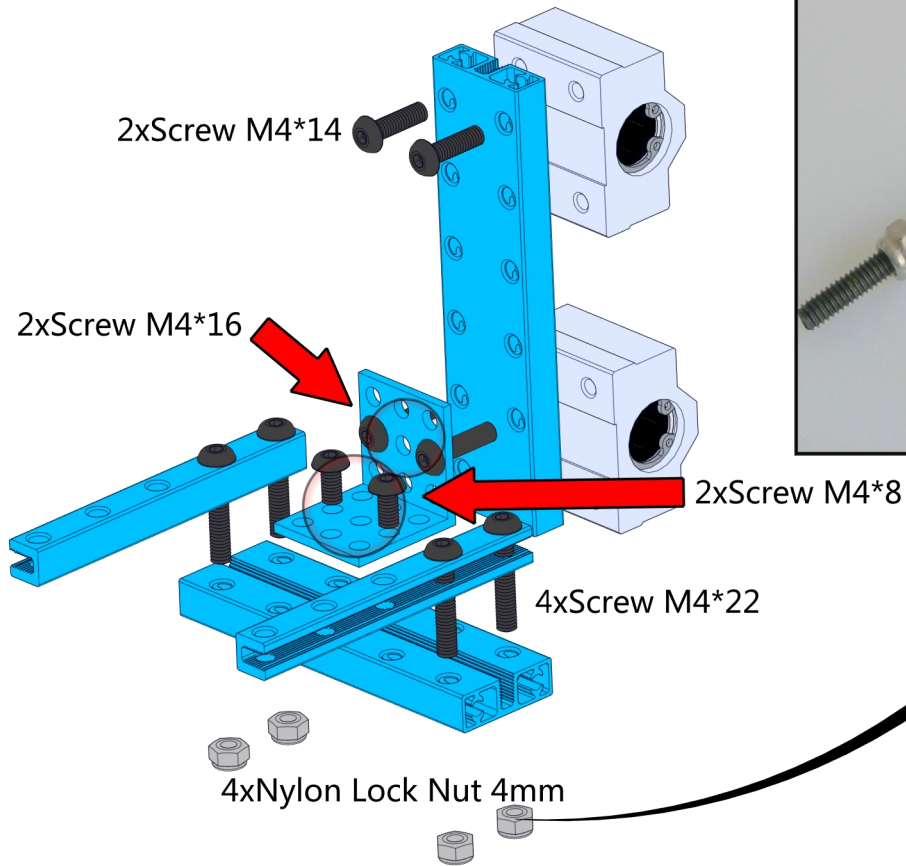
3×Micro Switch

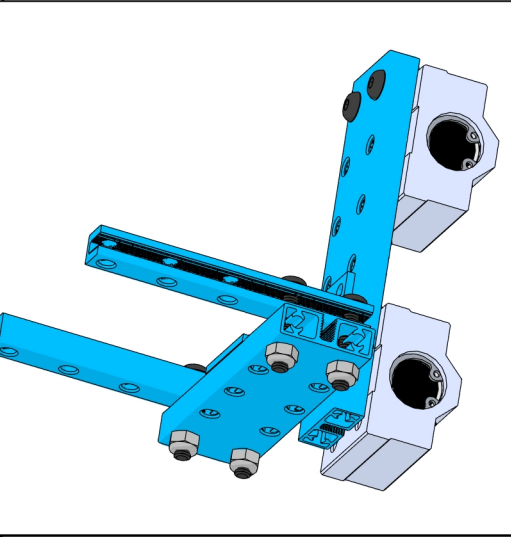
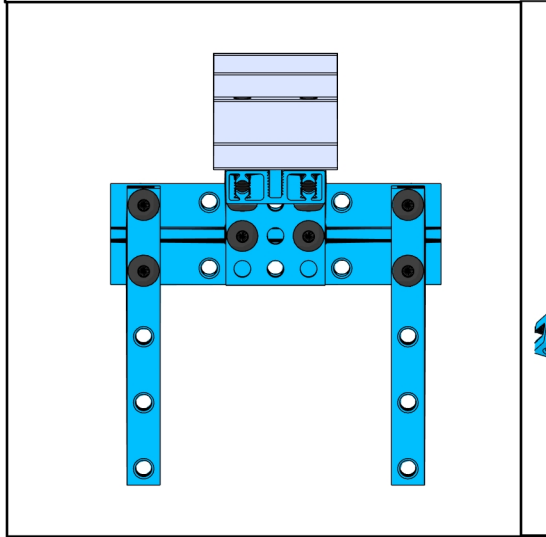
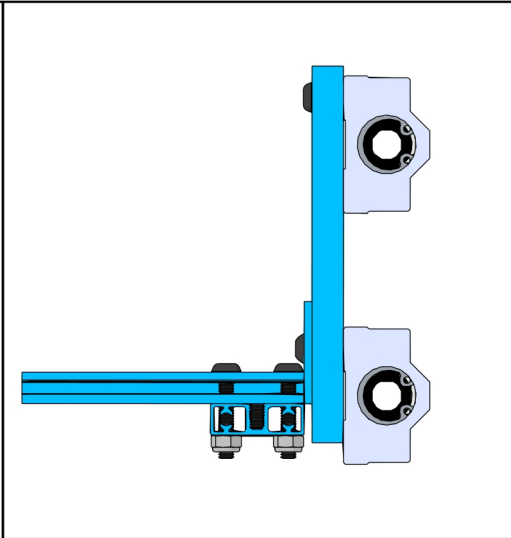
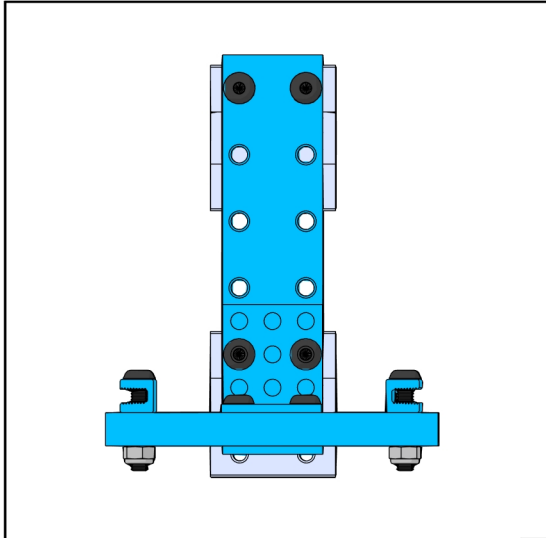
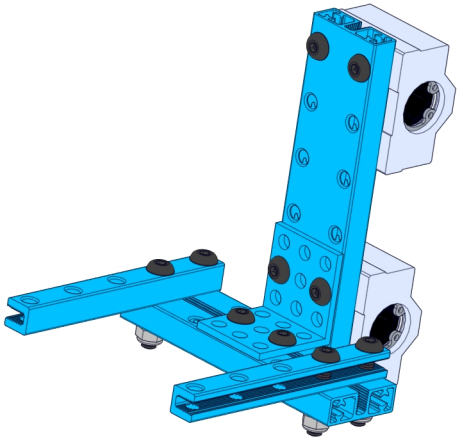




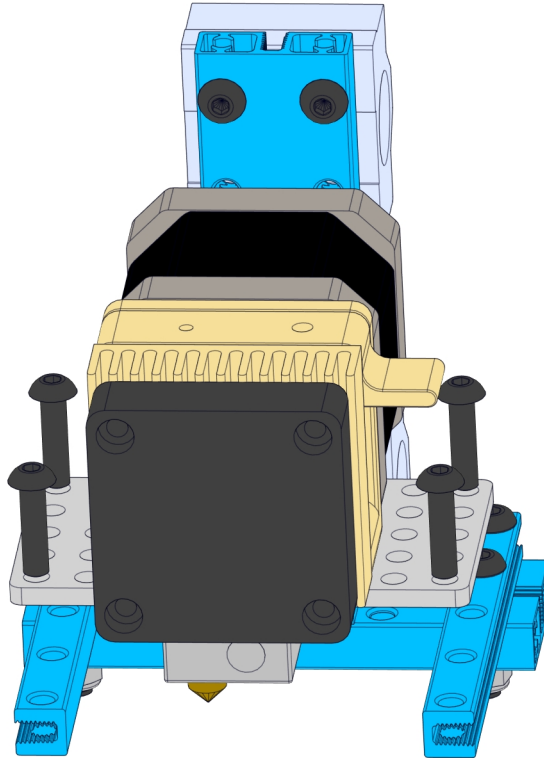








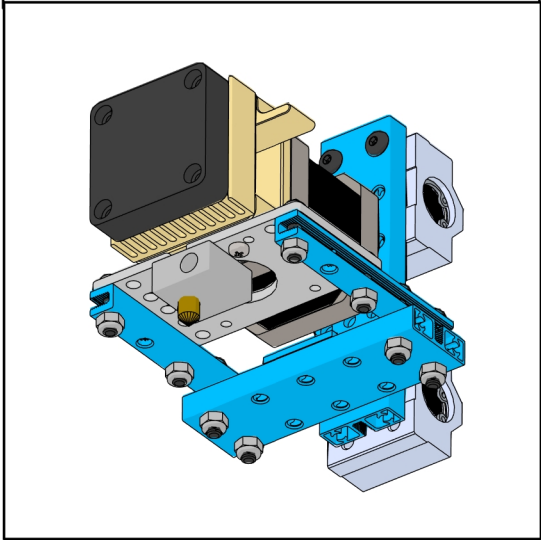
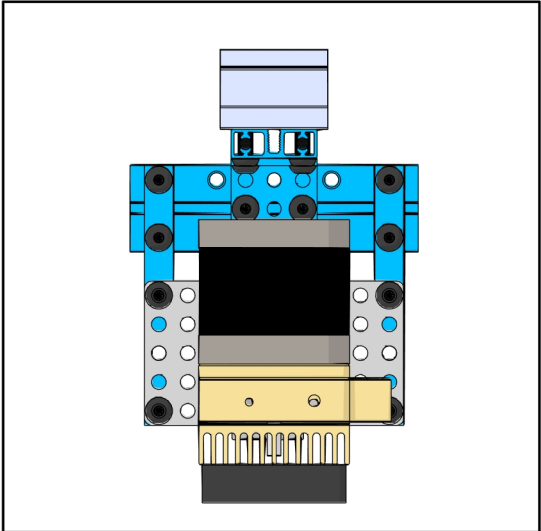
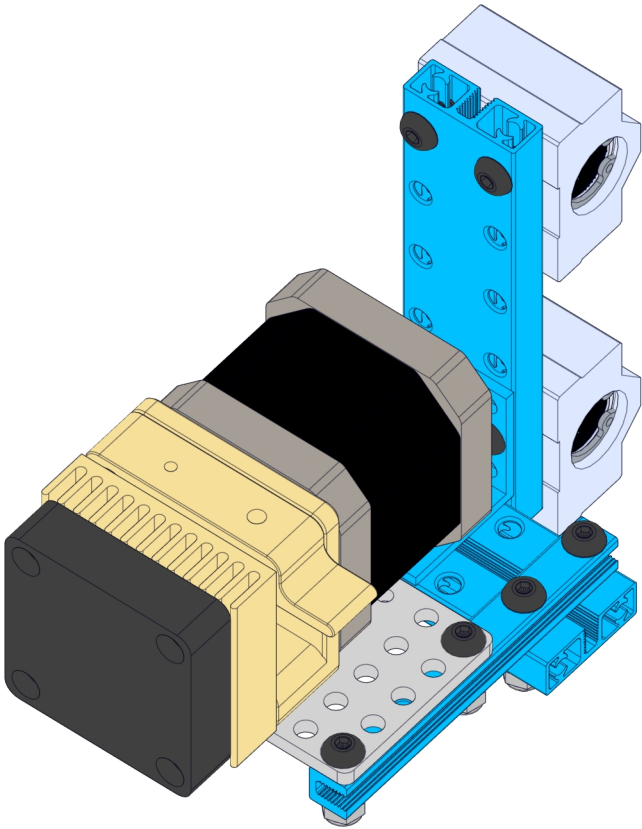
4xScrew M4*16



4xNylon Lock Nut

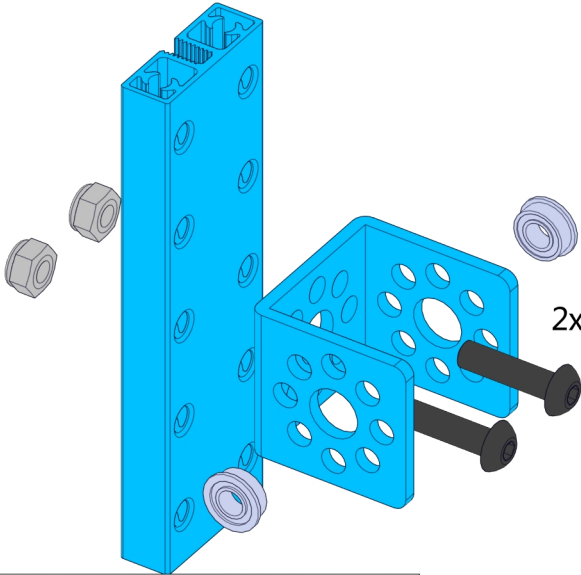


1

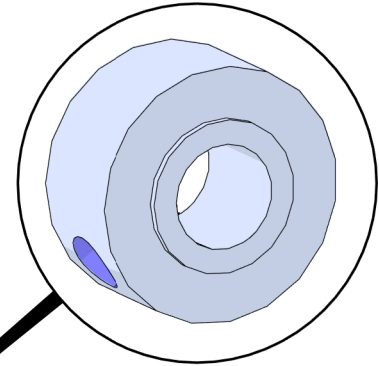
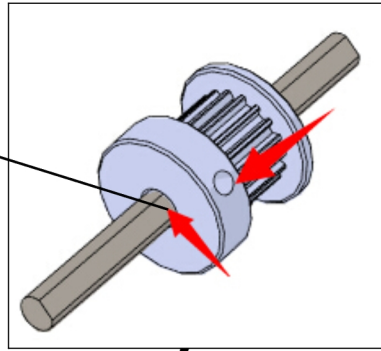


This hole should be perpendicular to this plane.

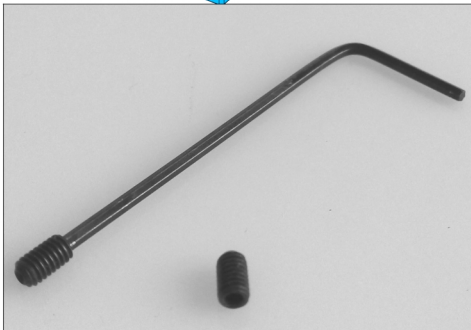
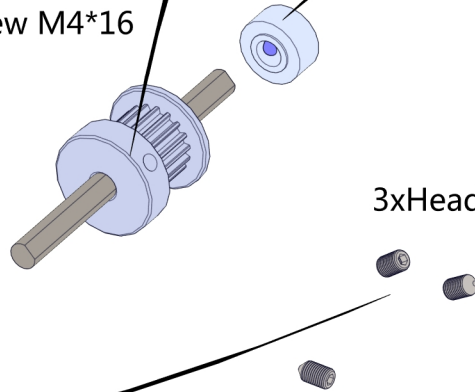
2xNylon Lock Nut 4mm



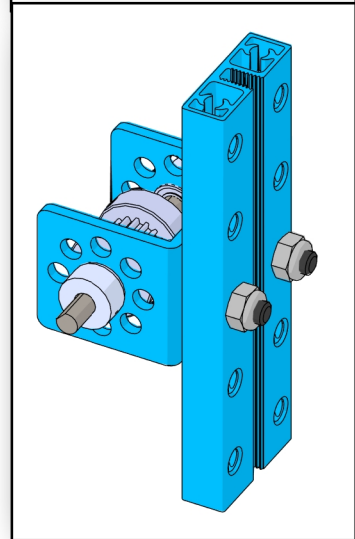
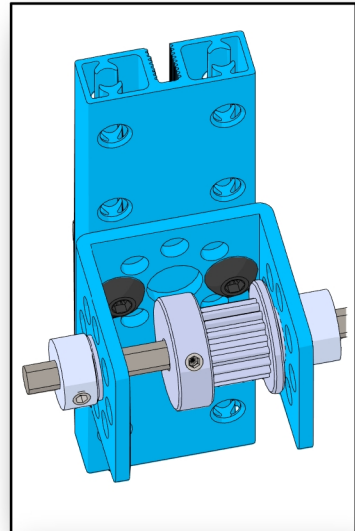
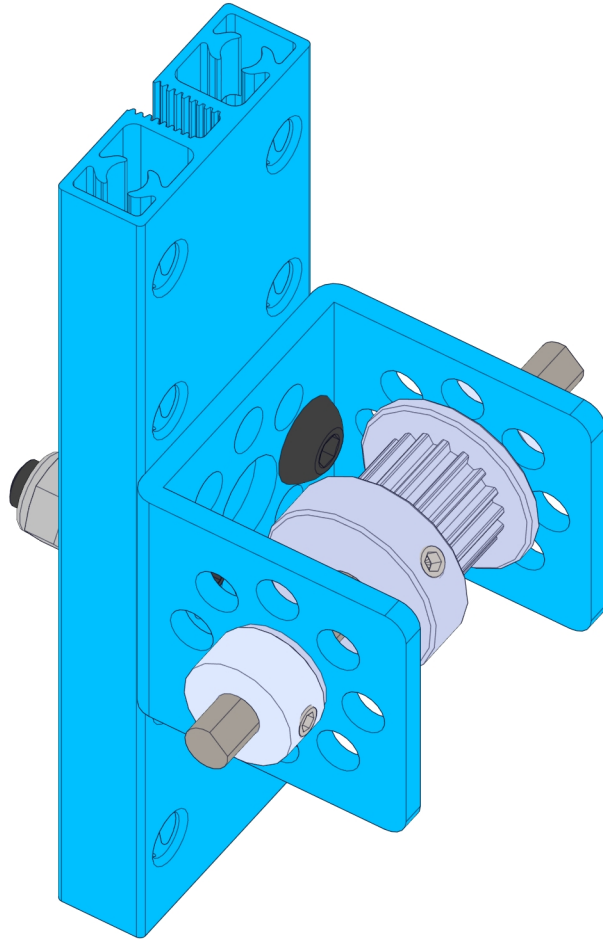
2xScrew M4*16



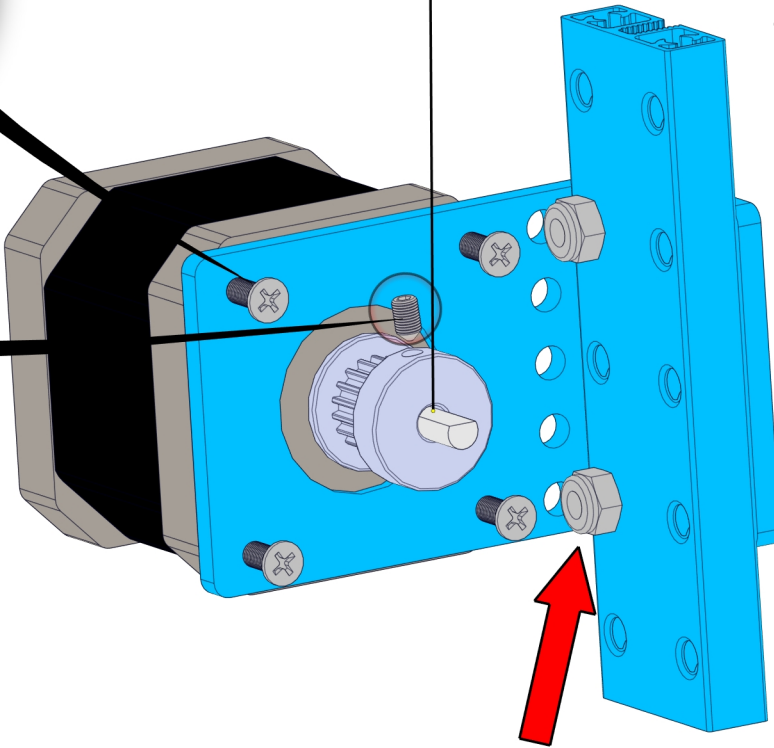
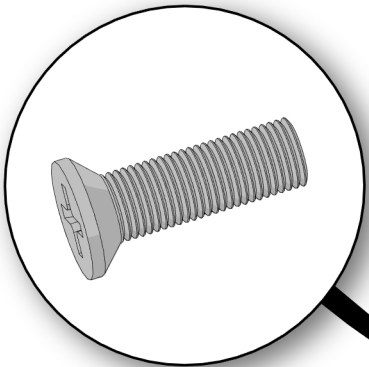
3xHeadless Set Screw M3x5



2



This hole should be perpendicular to this plane.



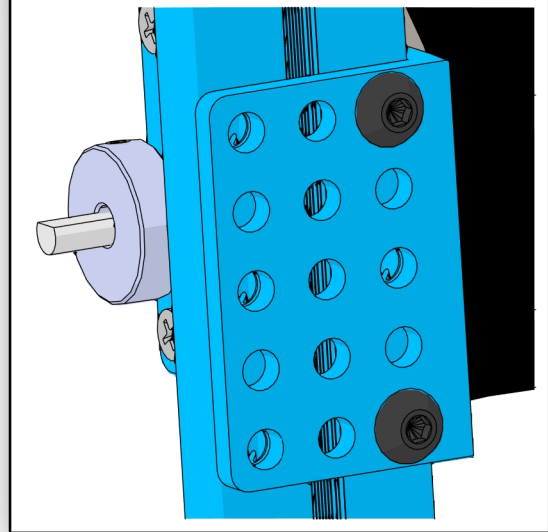
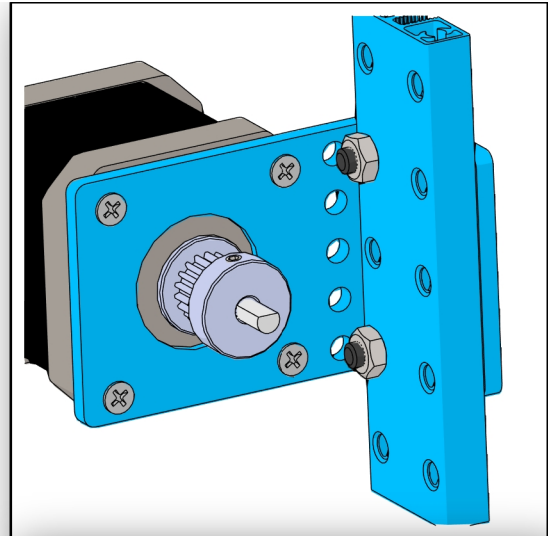
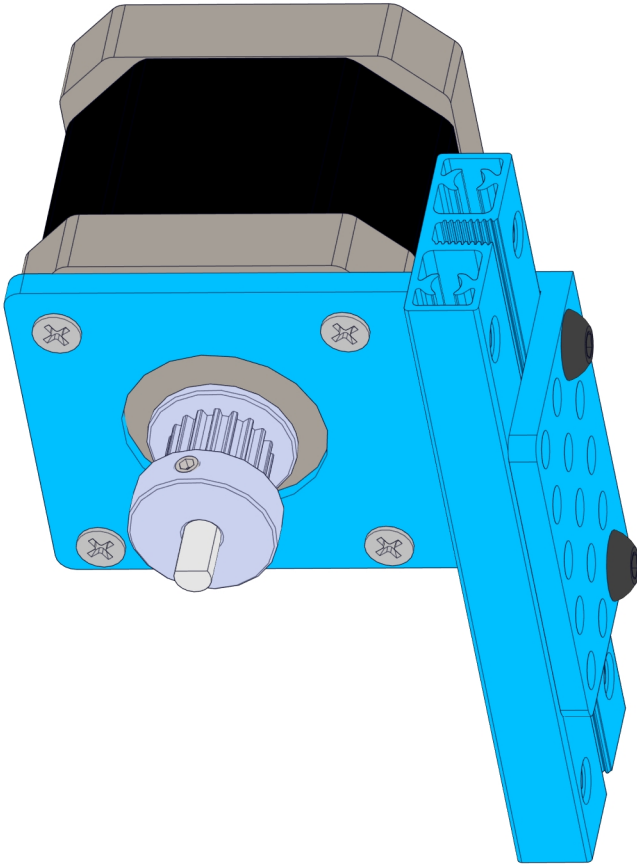
2xScrew M4*16

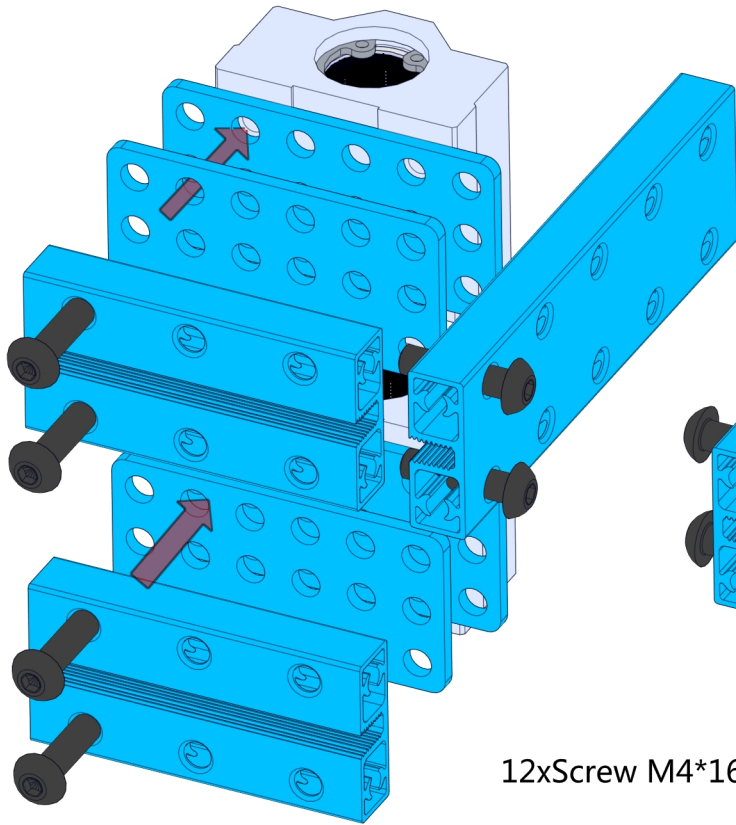


2xNylon Lock Nut 4mm

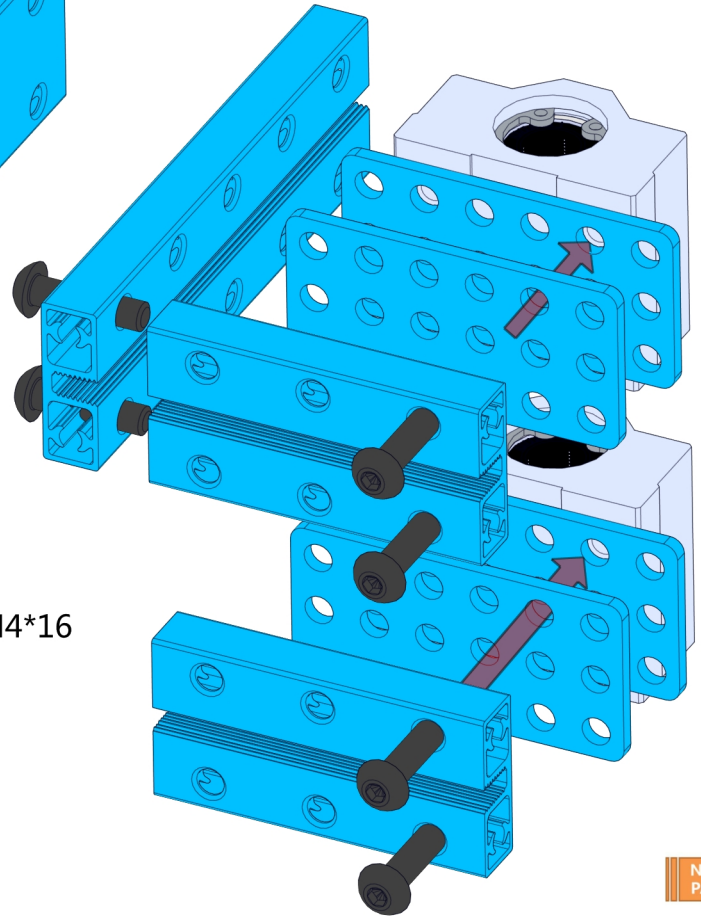


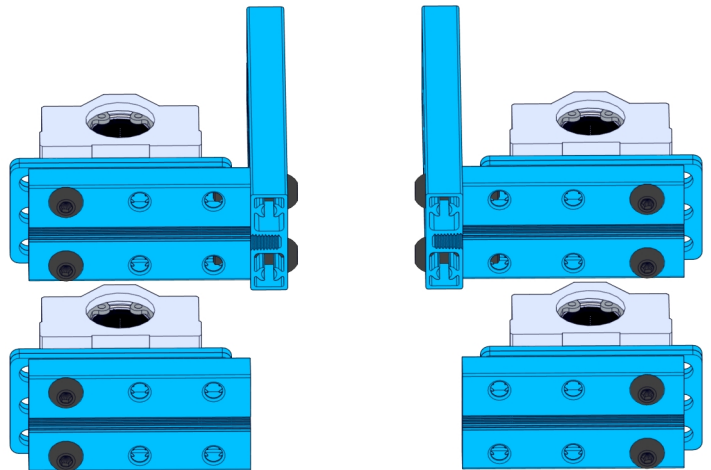
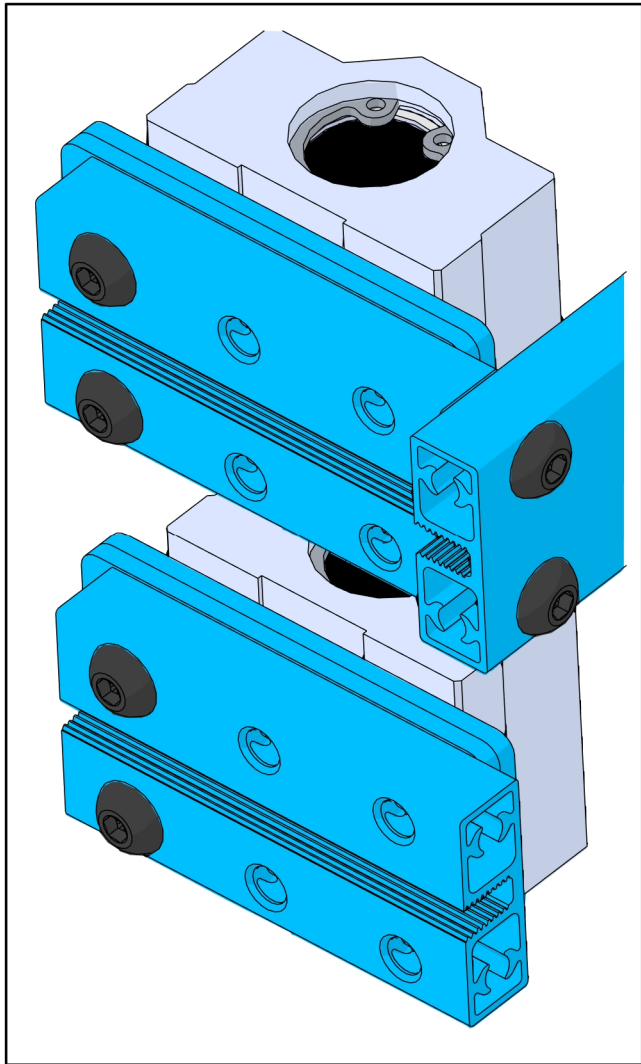
3





12xScrew M4*16





4

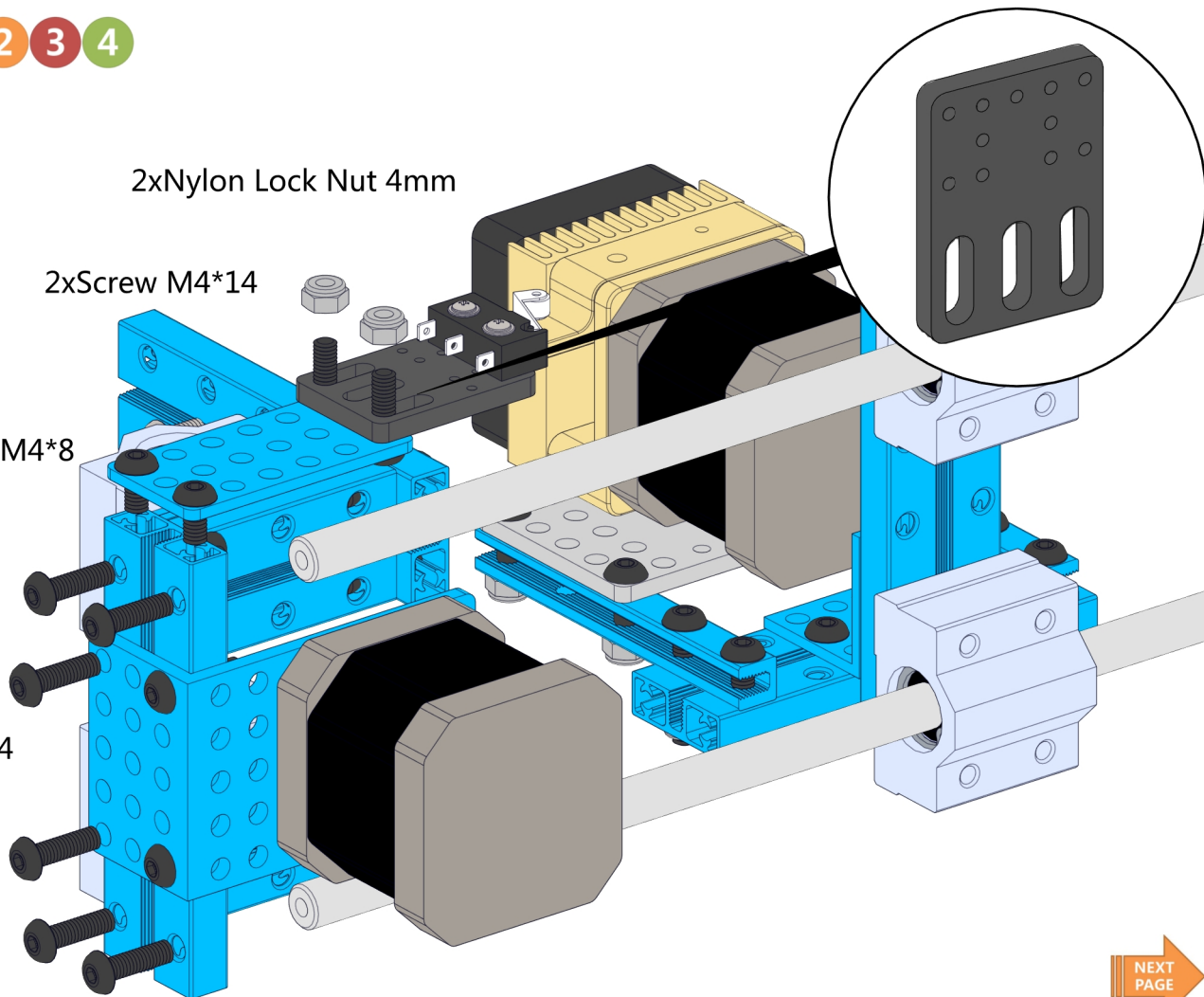
assemble **1** **2** **3** **4**

2xNylon Lock Nut 4mm

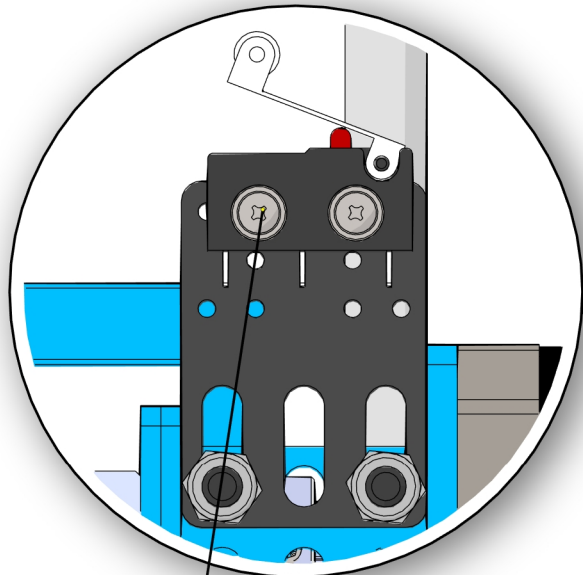
2xScrew M4*14

2xScrew M4*8

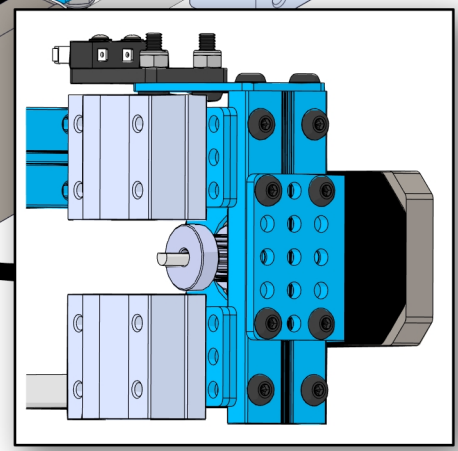
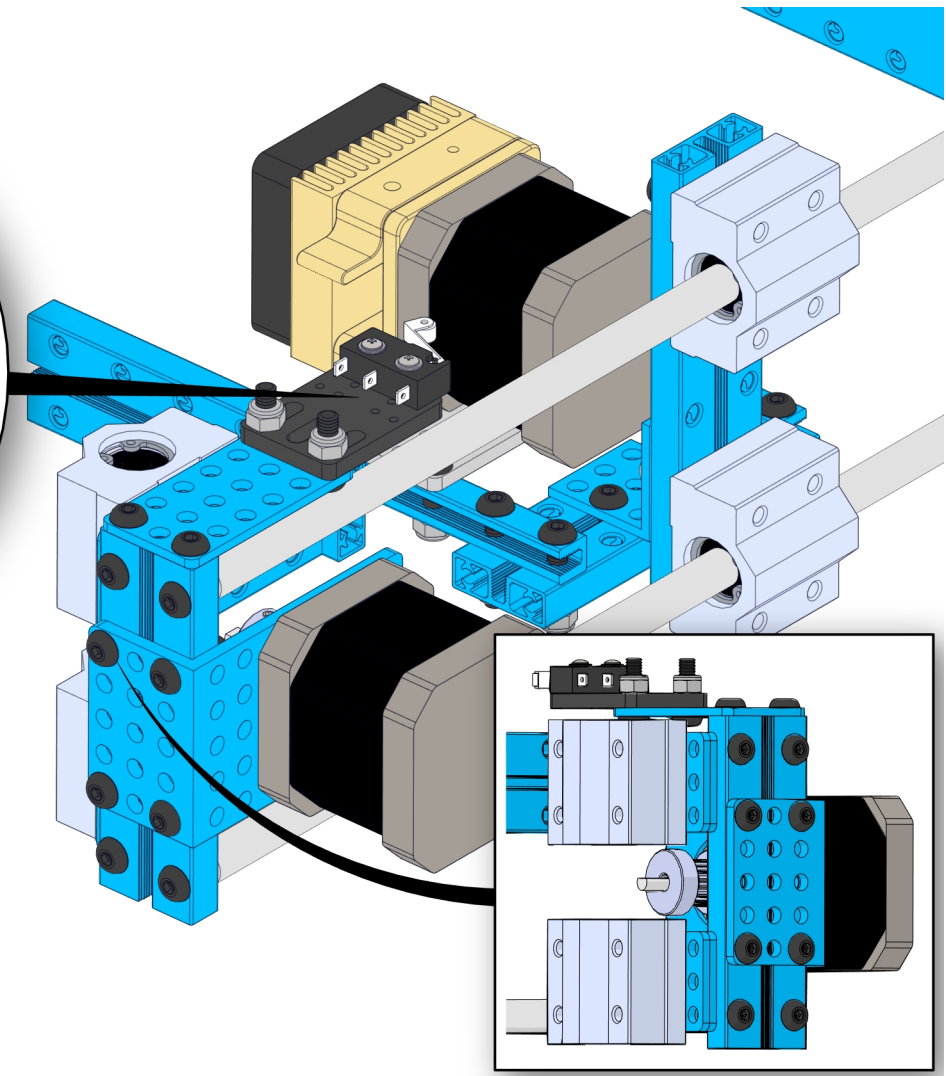
6xScrew M4*14

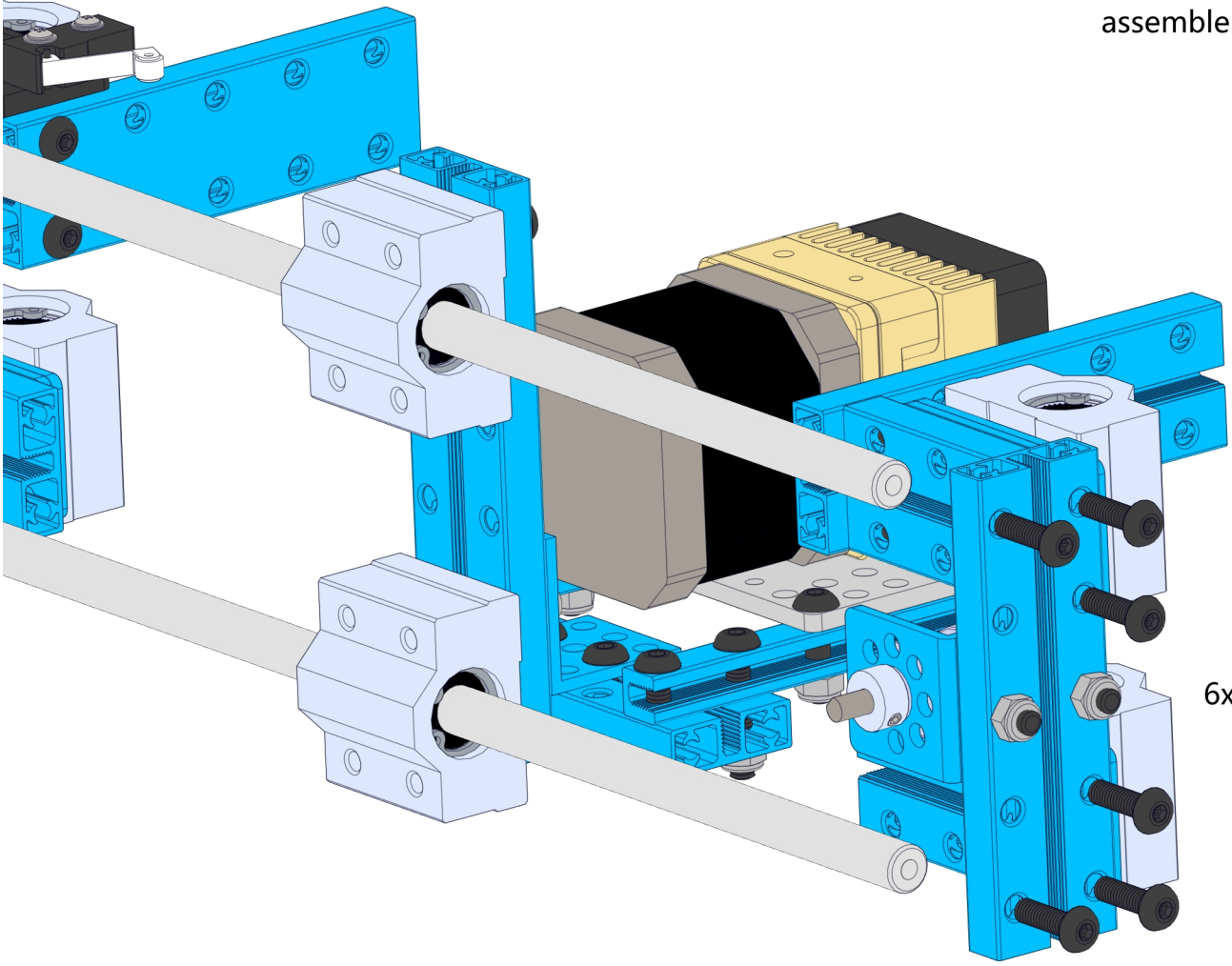


assemble 1 2 3 4



Note: Assembly here

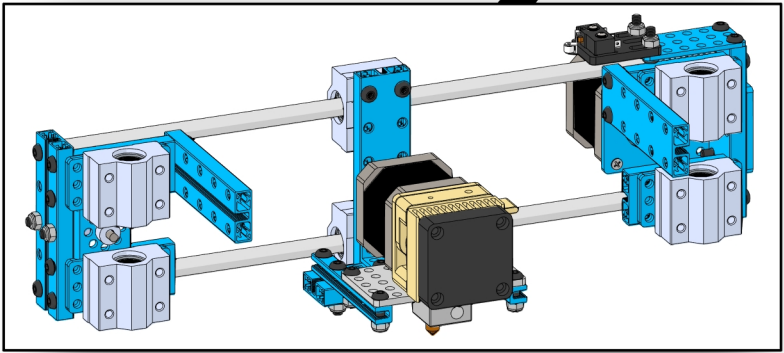
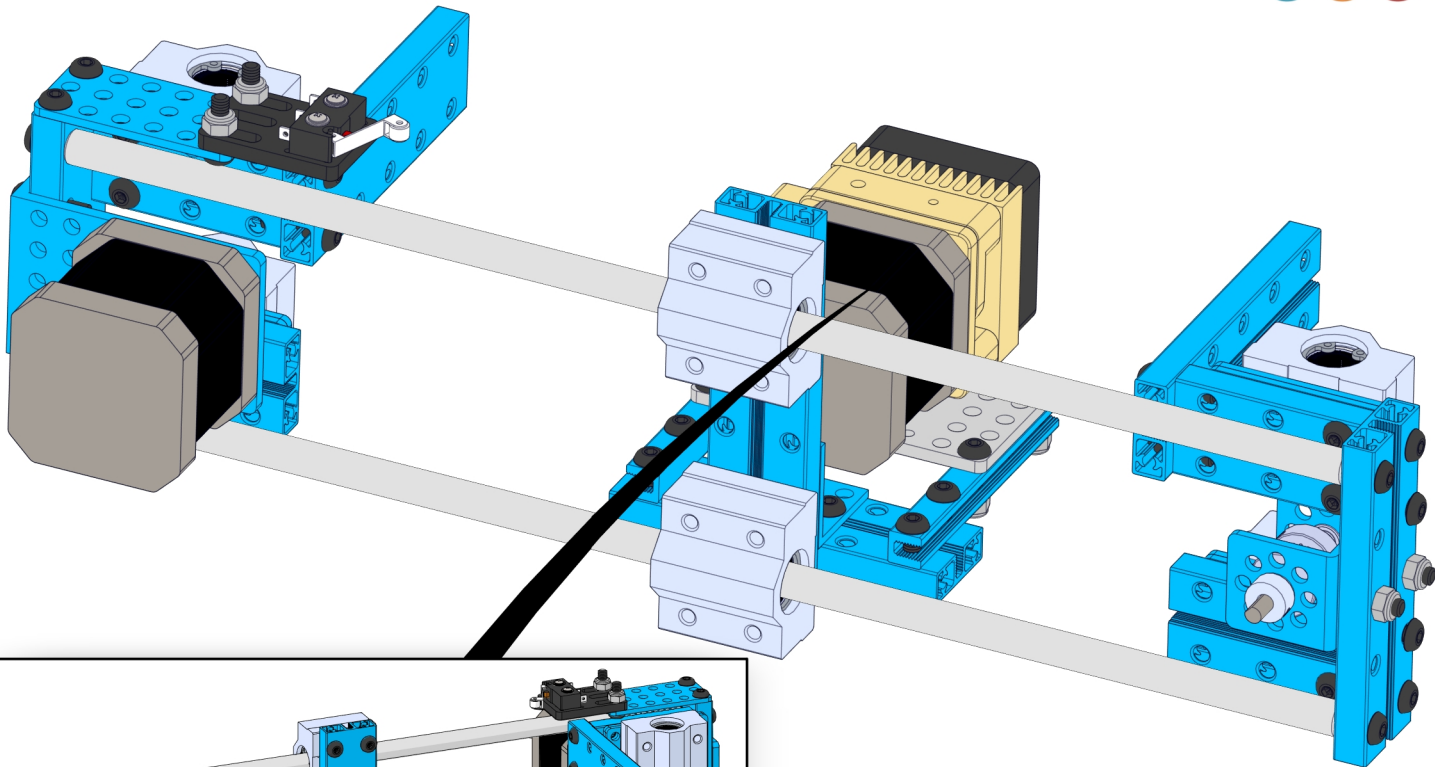




6xScrew M4*14

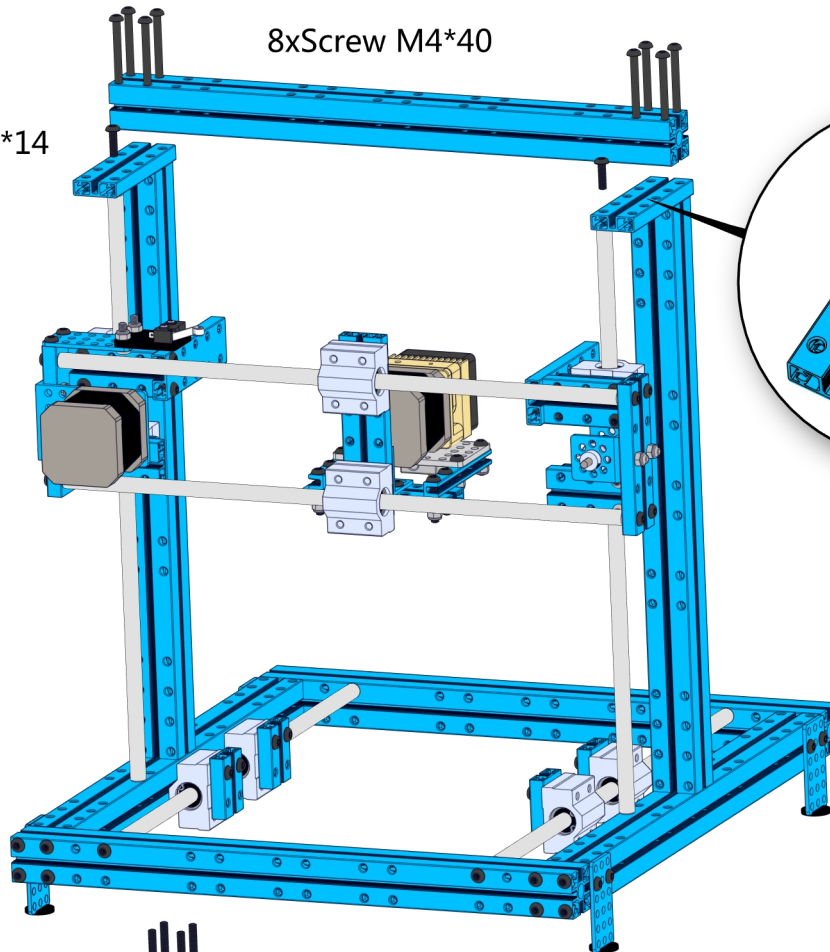


assemble 1 2 3 4



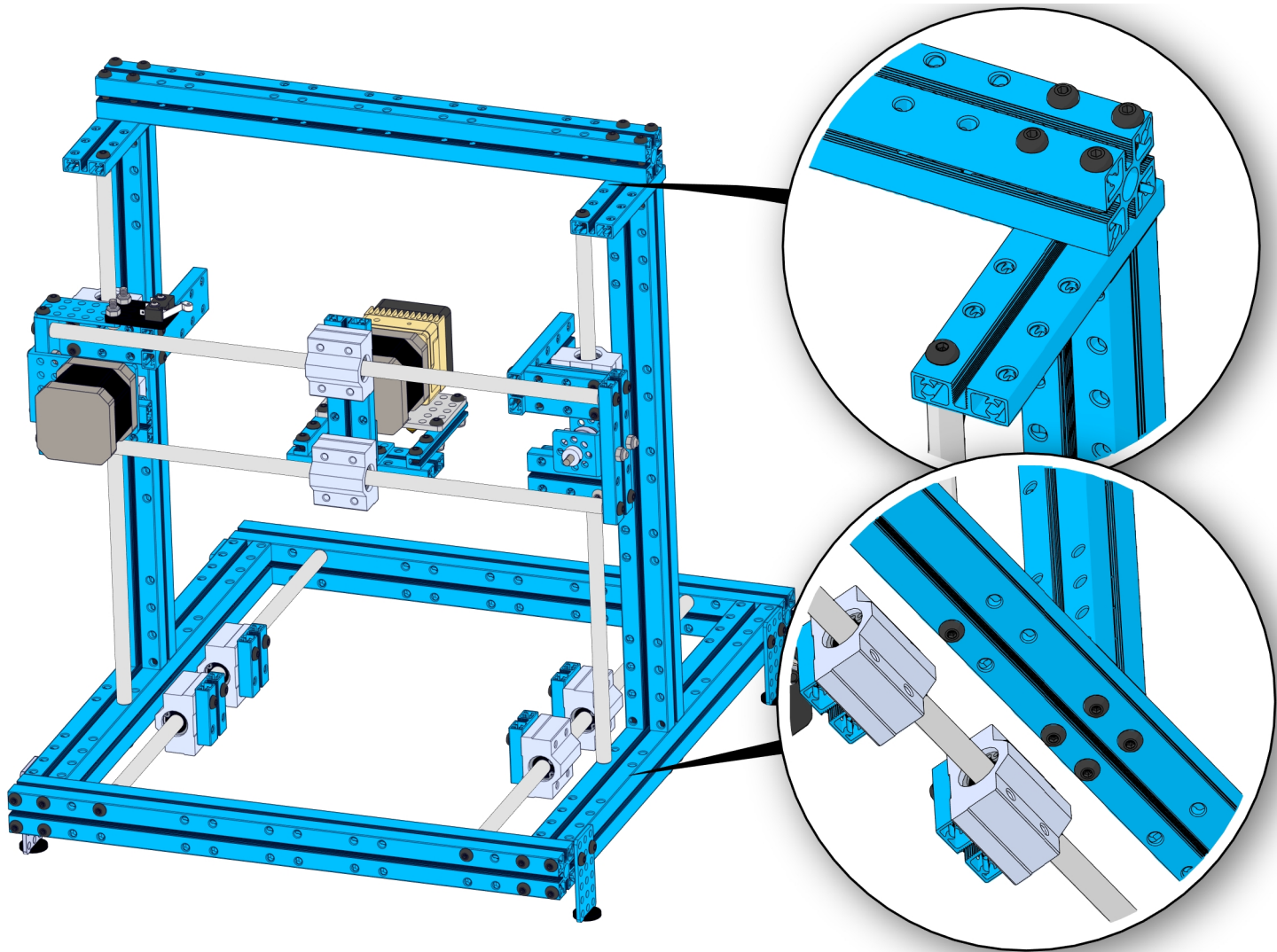
2xScrew M4*14

8xScrew M4*40

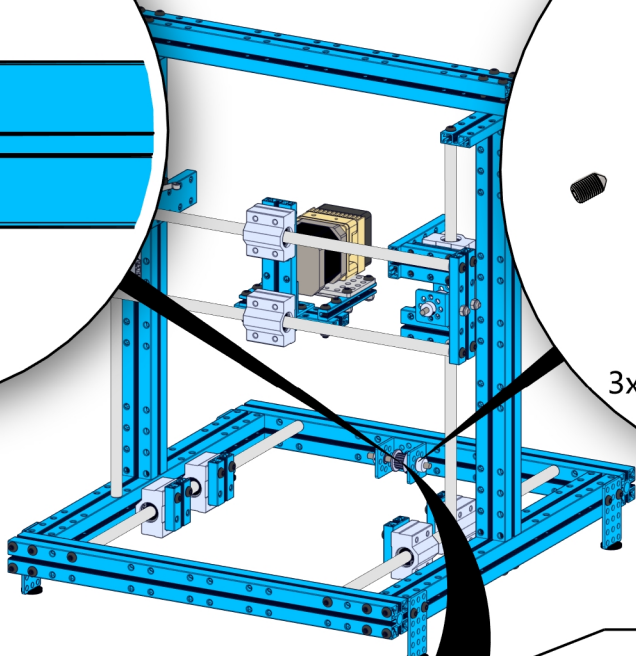


10xScrew M4*30

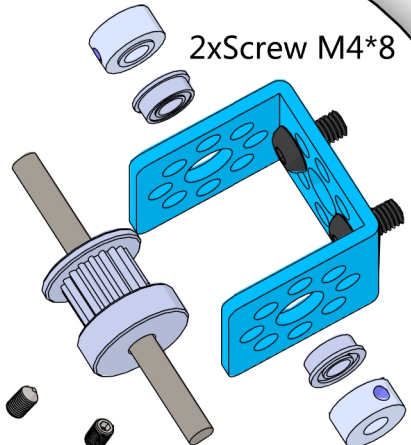




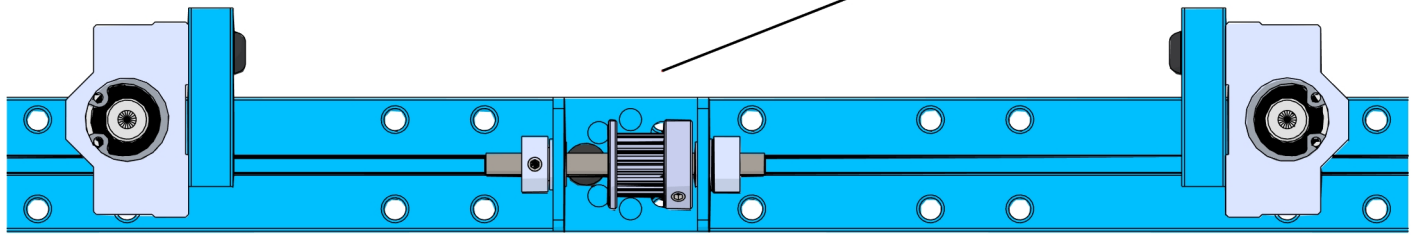
Adjust the Timming Pulley one right side a little bit

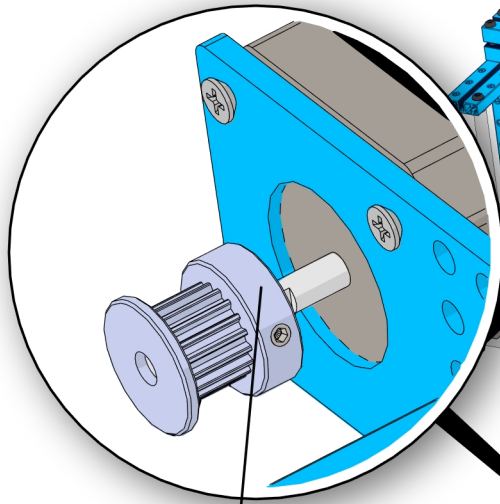


2xScrew M4*8
3xHeadless Set Screw M3x5

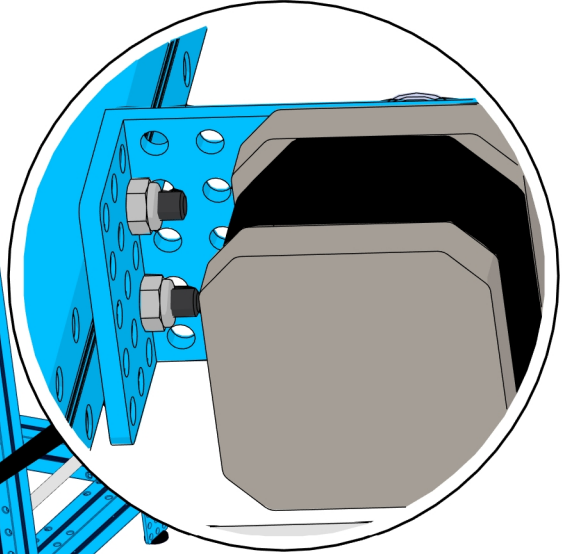
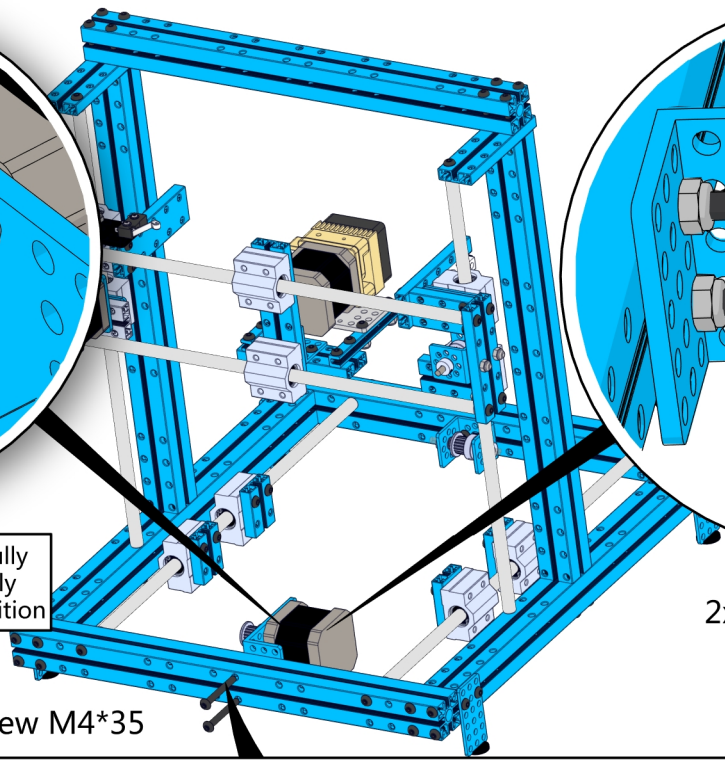


This part not in the middle position



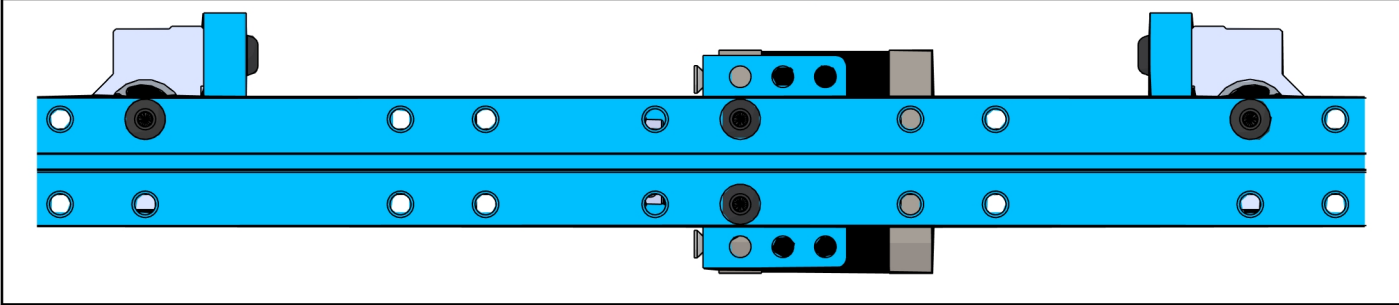


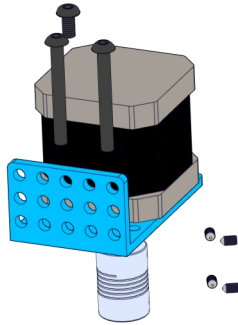
You need to adjust this Timing Pulley to match another side Timing Pulley to make sure they're in parallel position



2xNylon Lock Nut 4mm

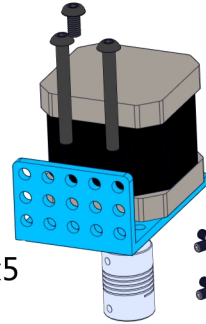
2xScrew M4*35



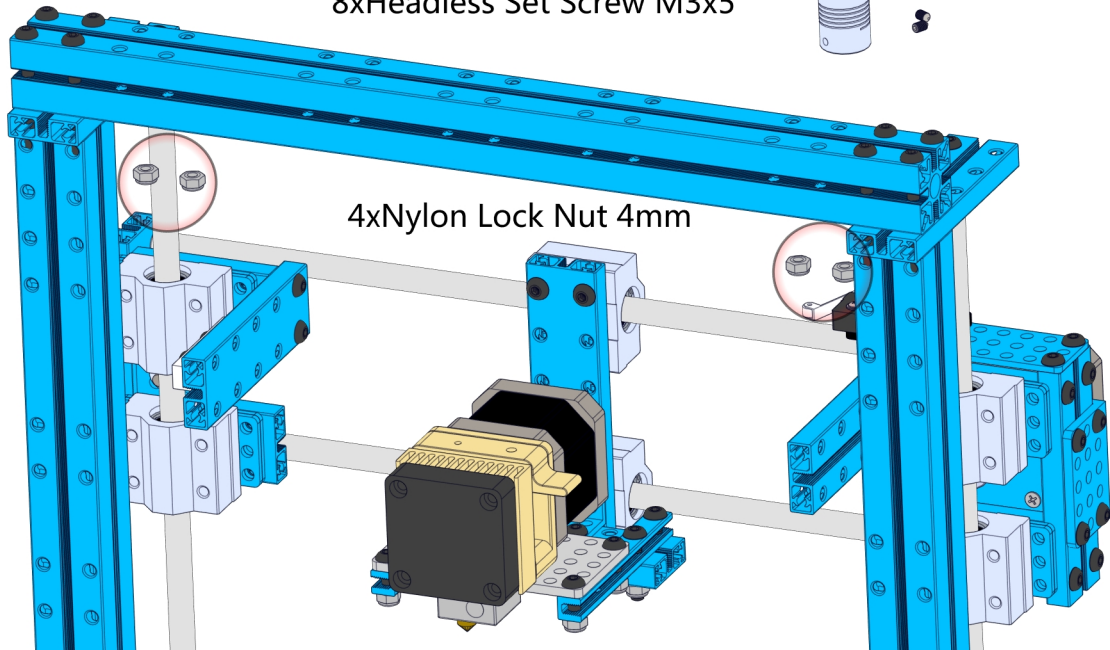


2xScrew M4*8

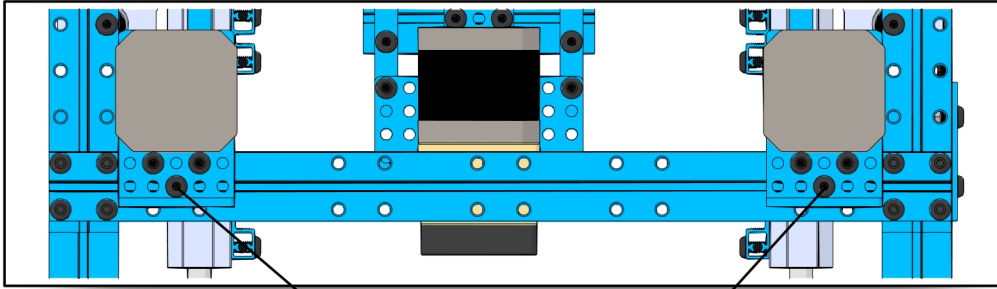
4xScrew M4*35



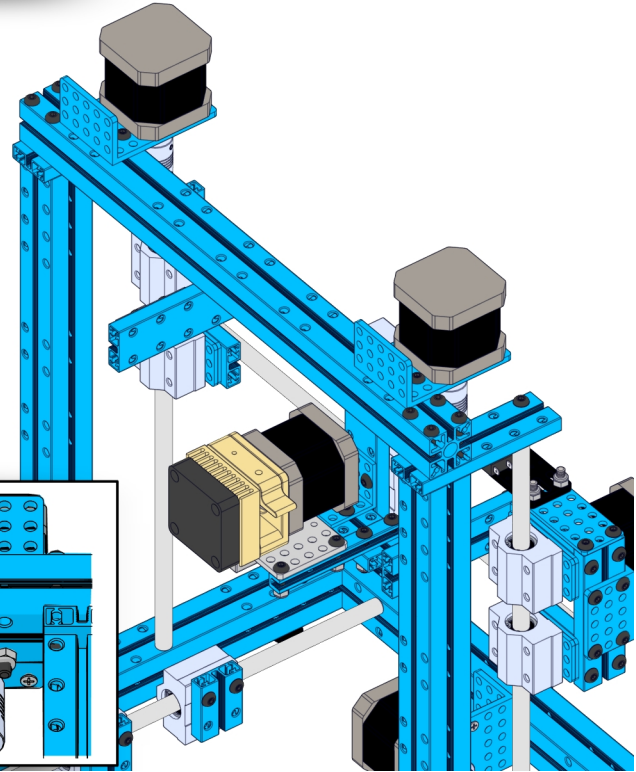
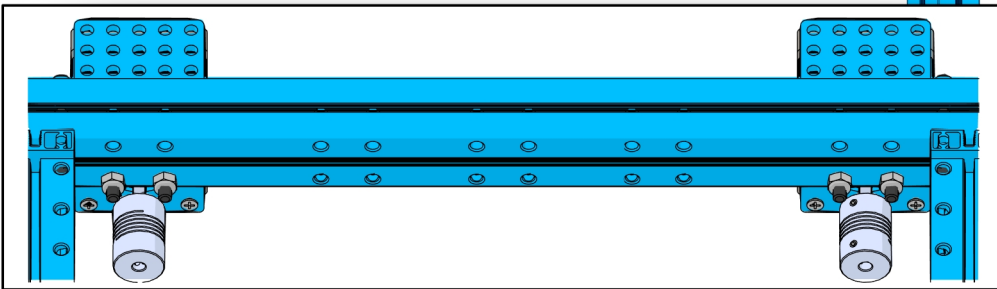
8xHeadless Set Screw M3x5

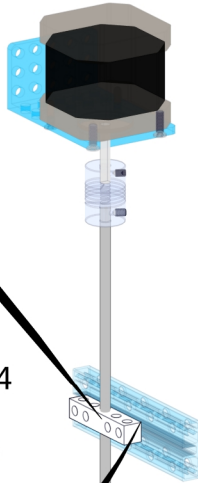
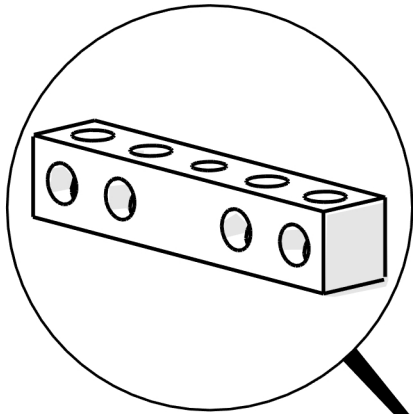


4xNylon Lock Nut 4mm

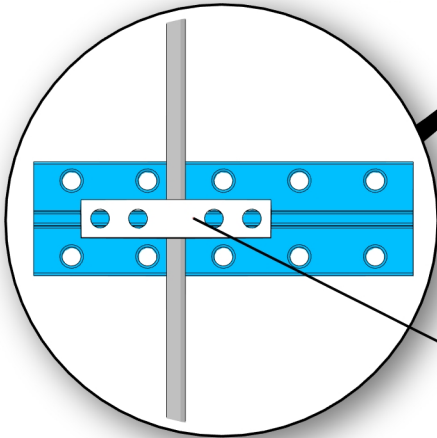


Screw M4*8

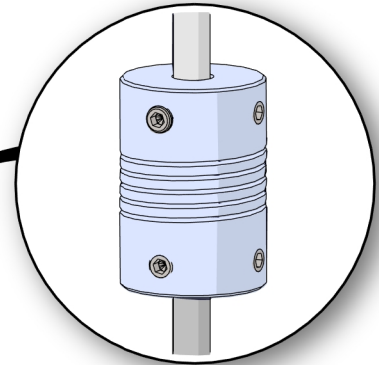
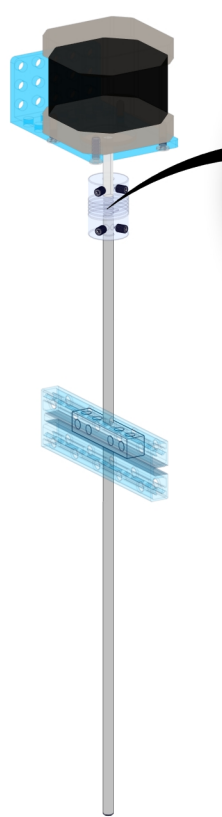


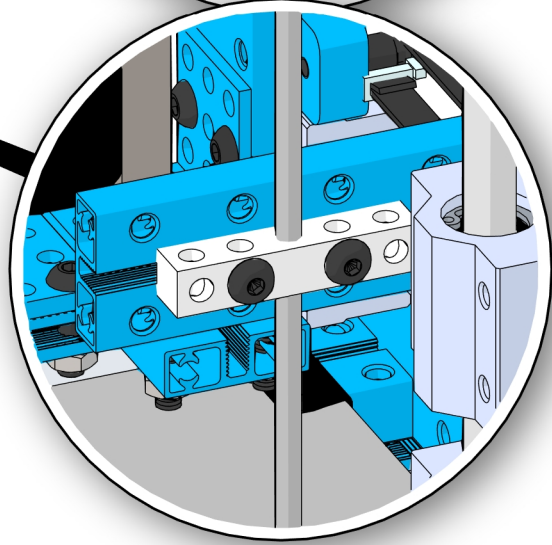
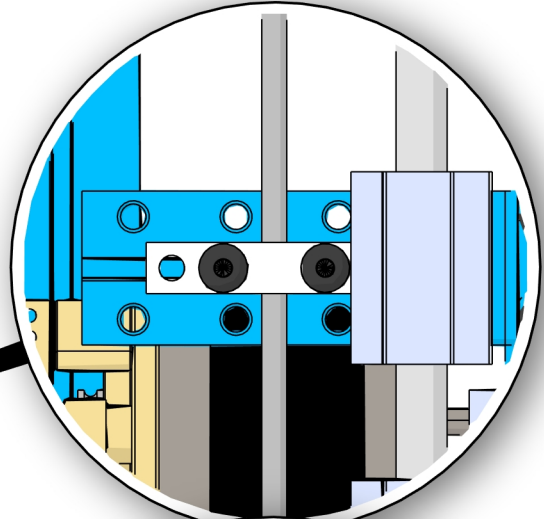
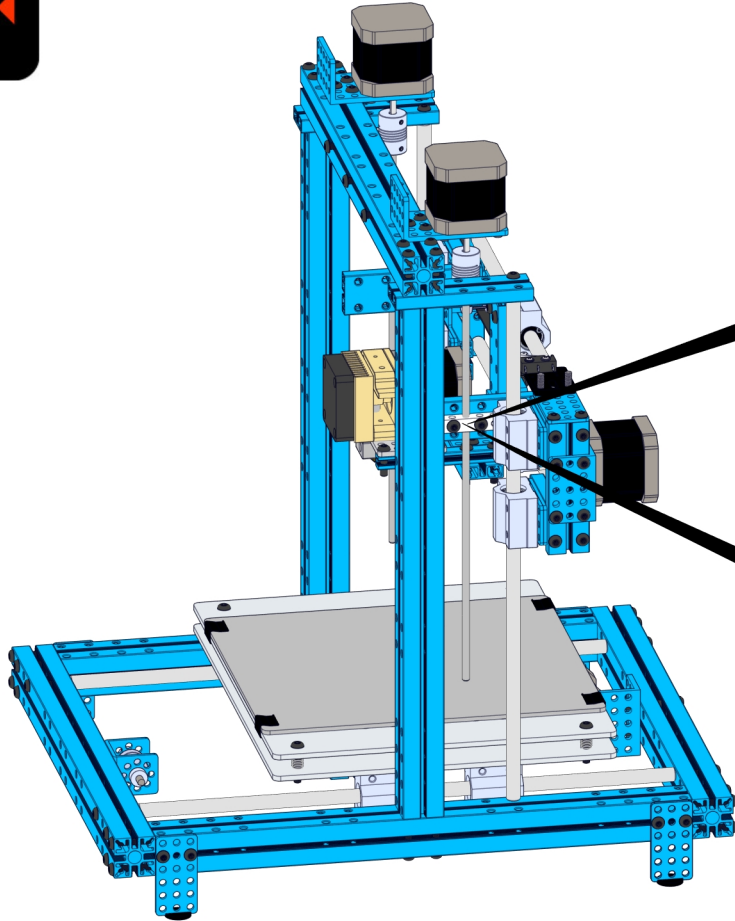


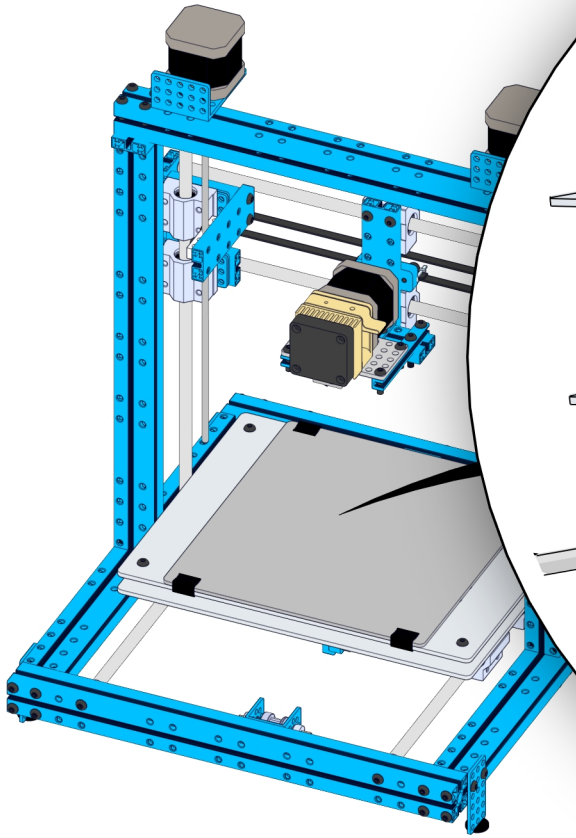
4xScrew M4*14



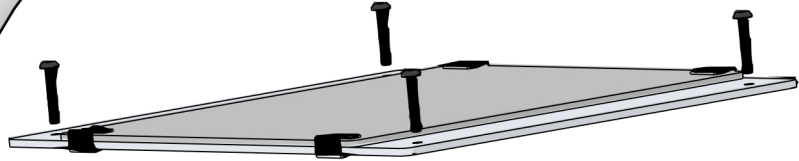
Adjust the M4 Transmission and make sure it is in horizontal direction.





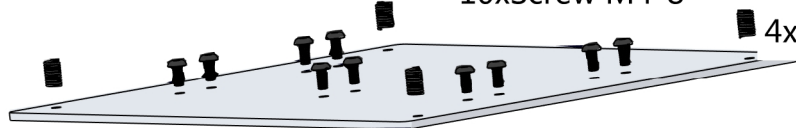


4xScrew M4*22

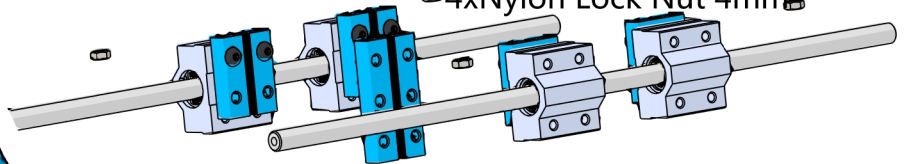


10xScrew M4*8

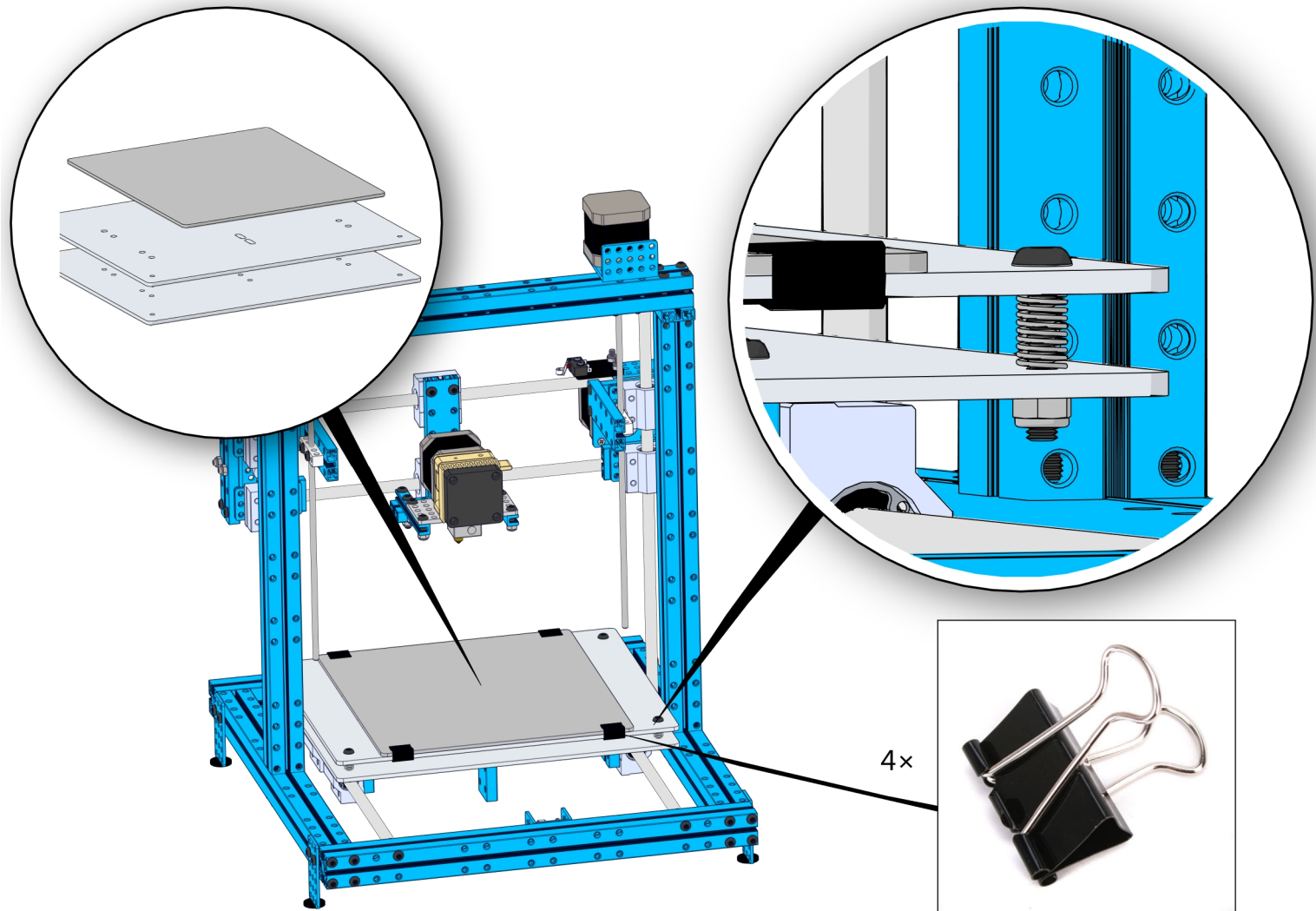
4xSpring



4xNylon Lock Nut 4mm



Beam0824-3



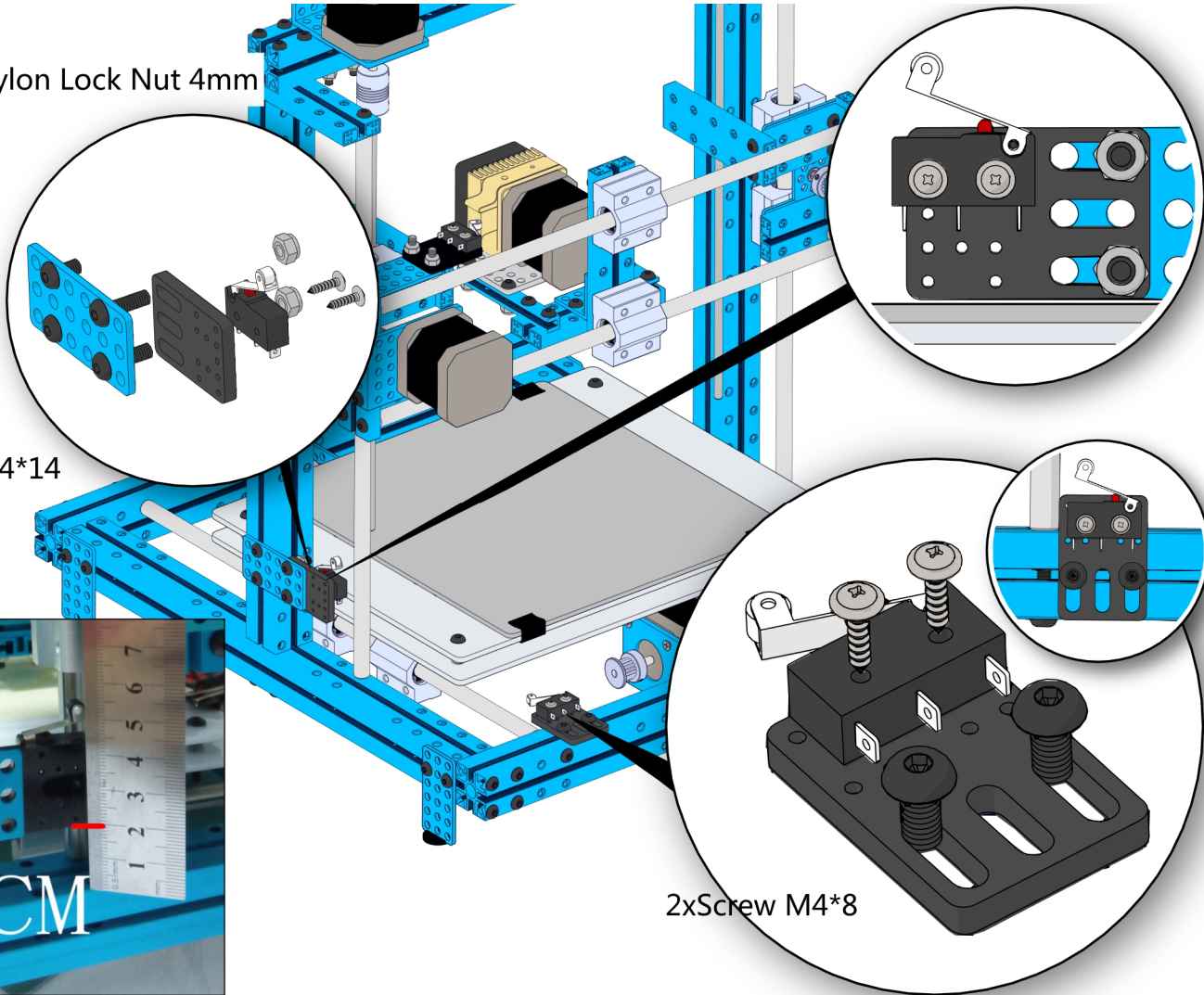
2xNylon Lock Nut 4mm

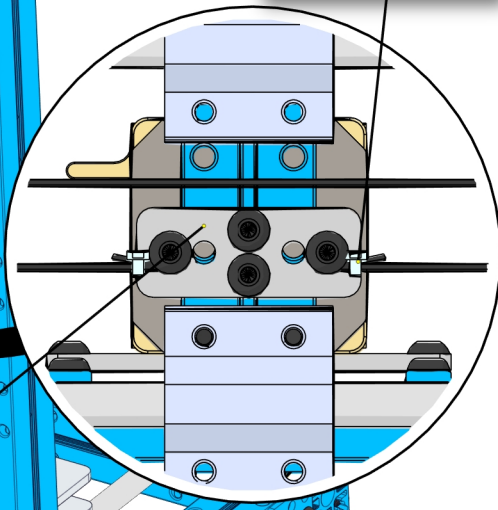
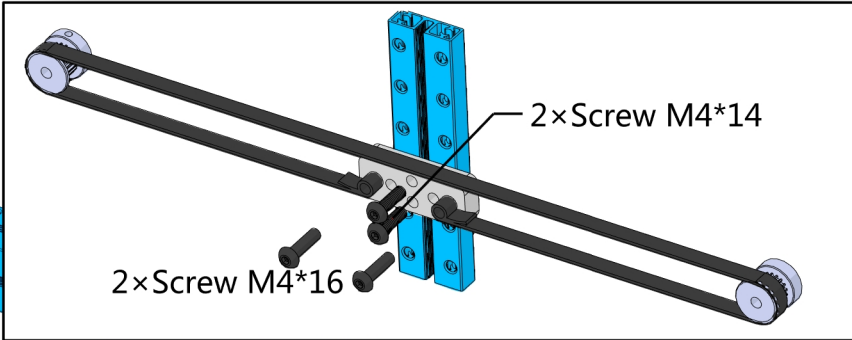
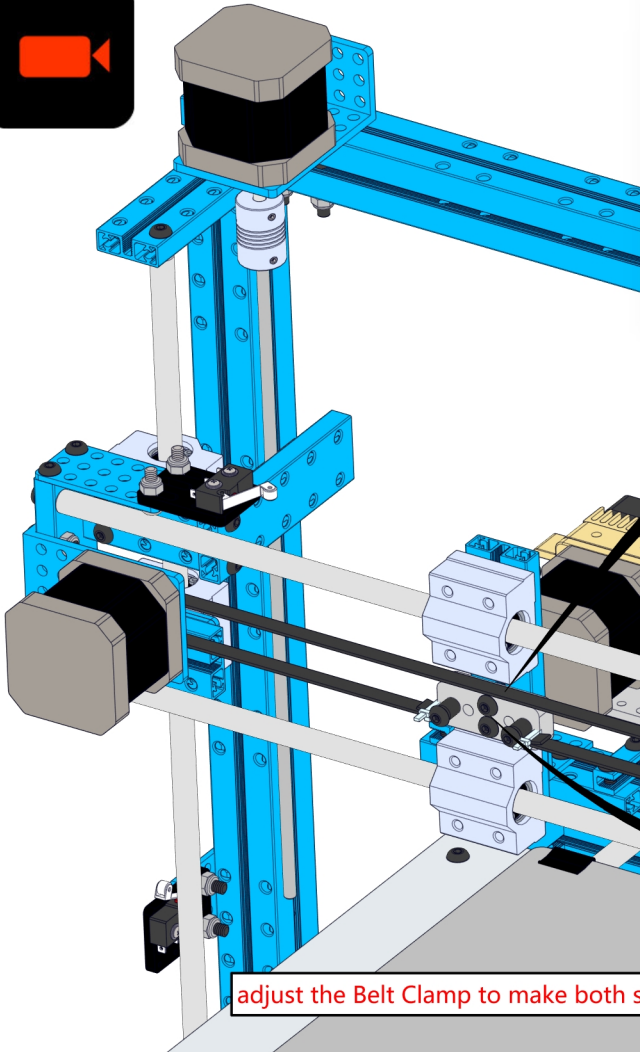
2xScrew M4*8

2xScrew M4*14

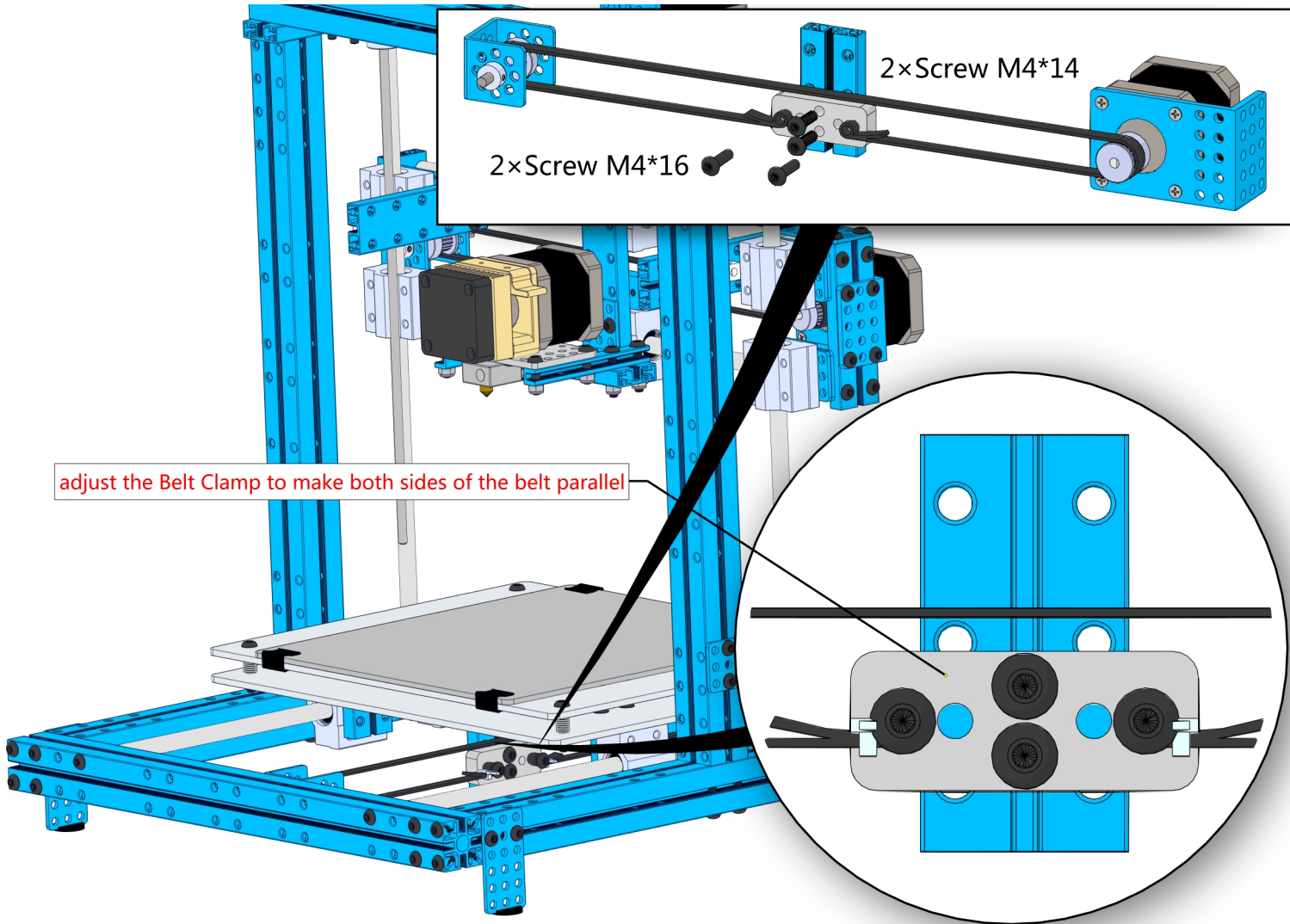
2xScrew M4*8

2CM

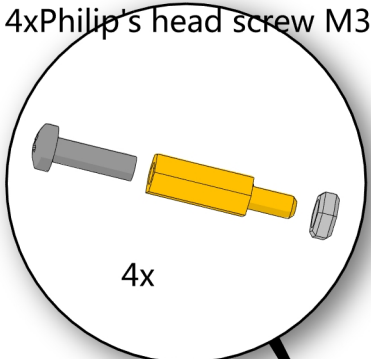




adjust the Belt Clamp to make both sides of the belt parallel

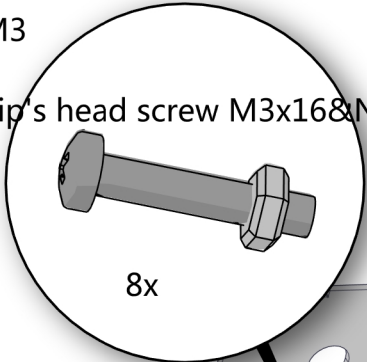


4x Philip's head screw M3x6 & Nut M3



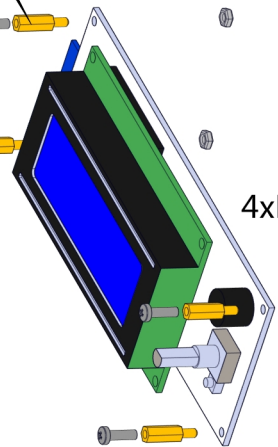
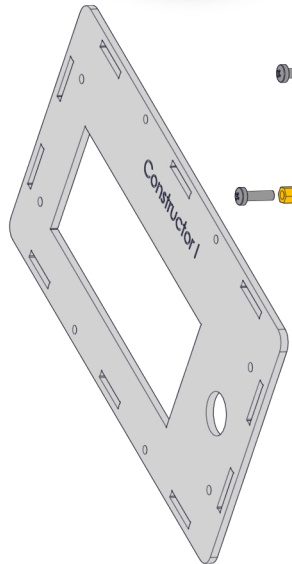
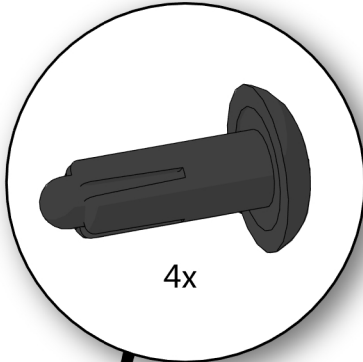
4x

8x Philip's head screw M3x16 & Nut M3

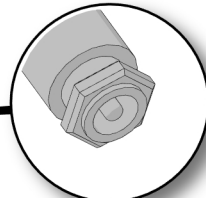
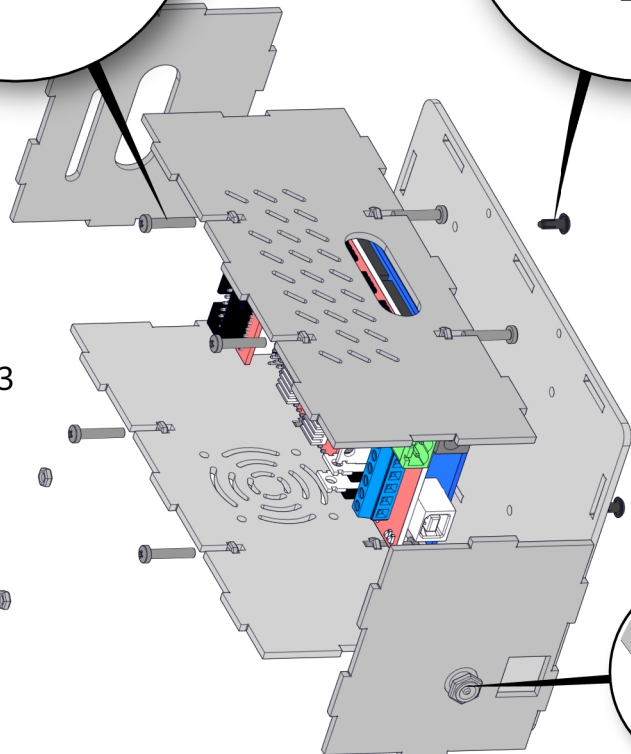


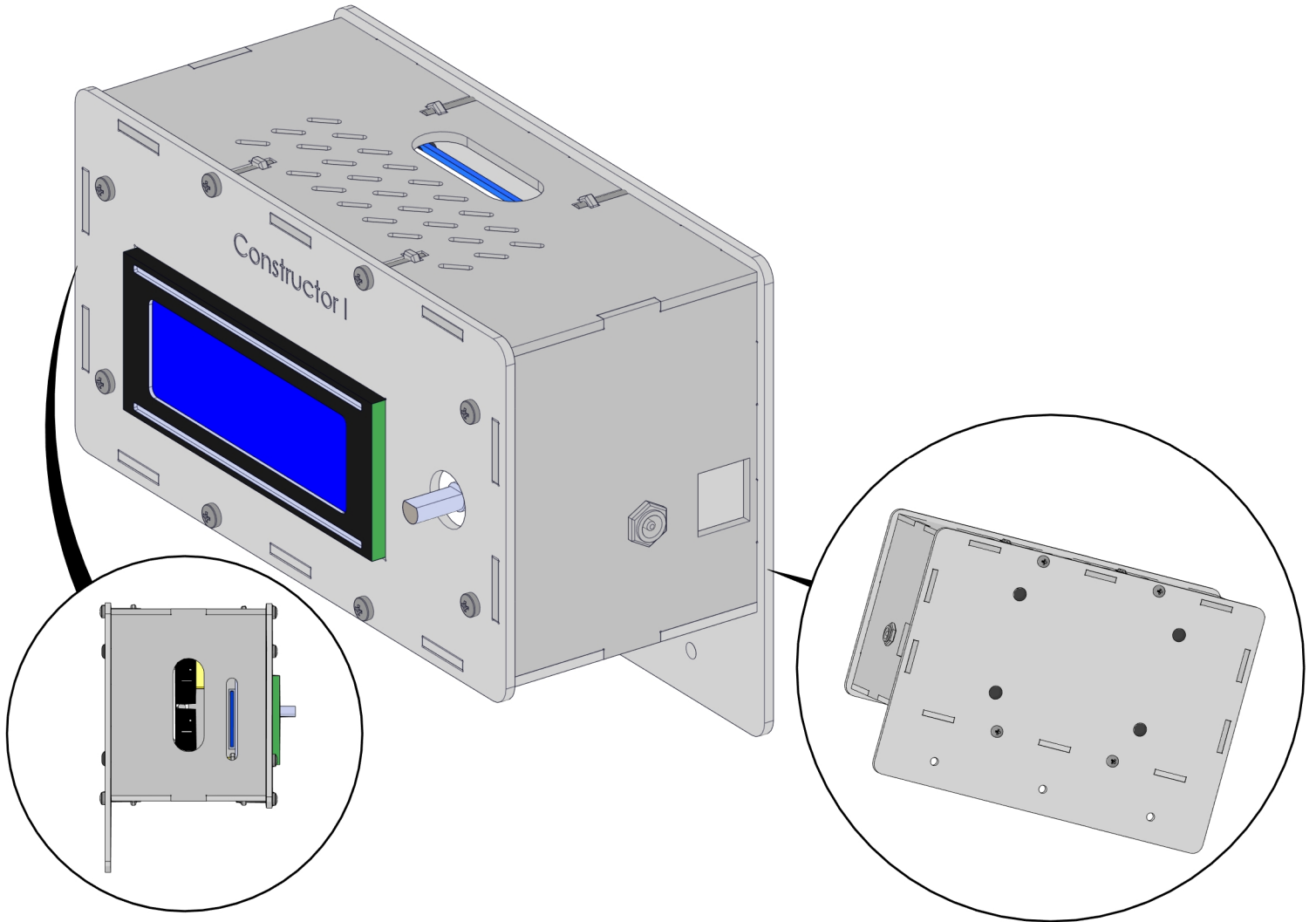
8x

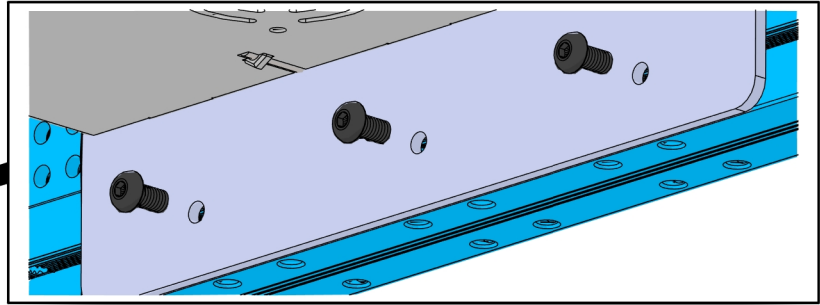
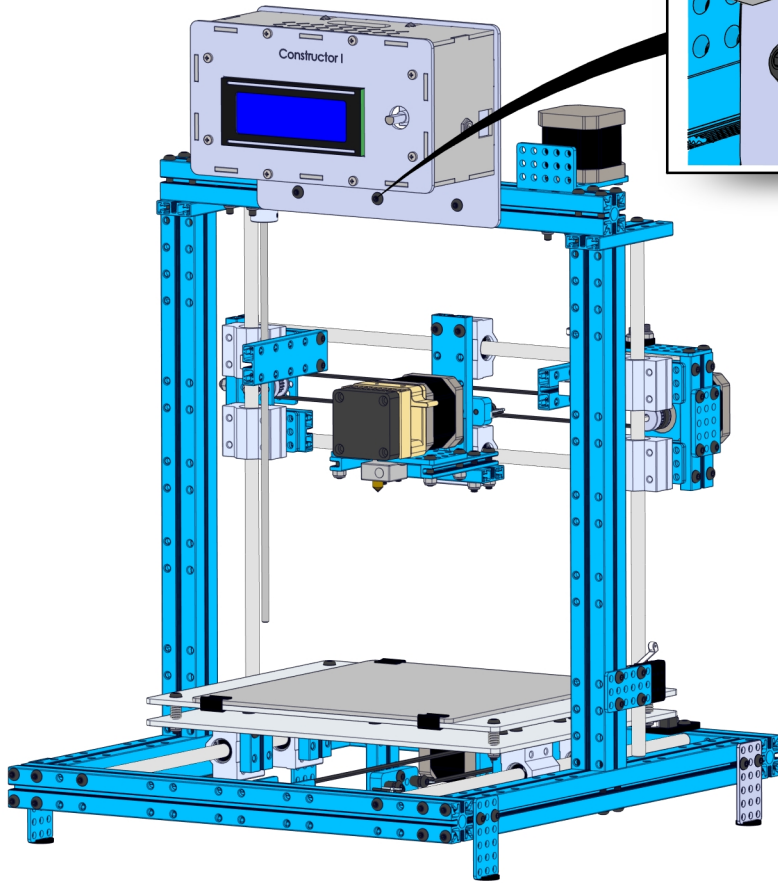
4x



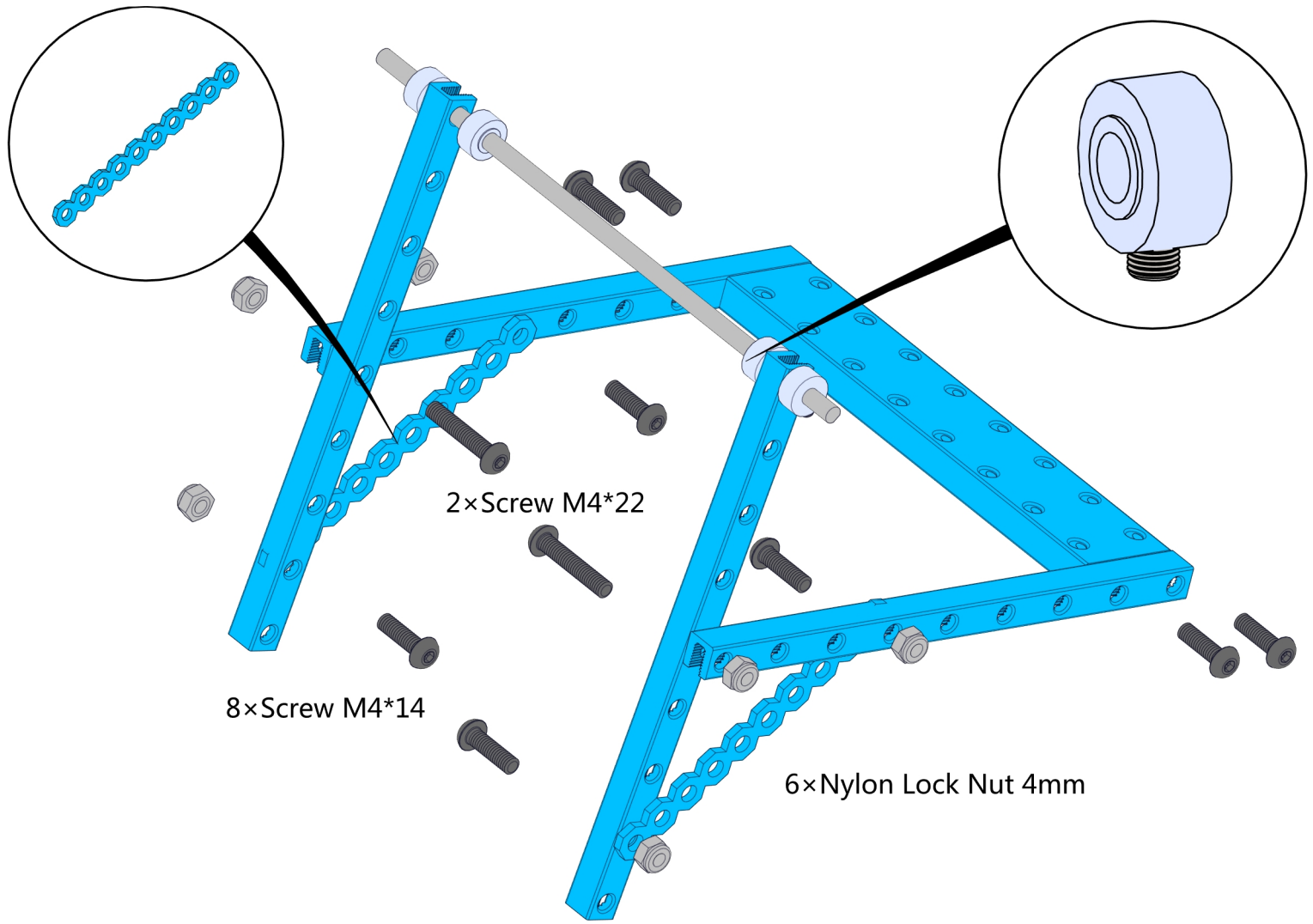
4x Nut M3







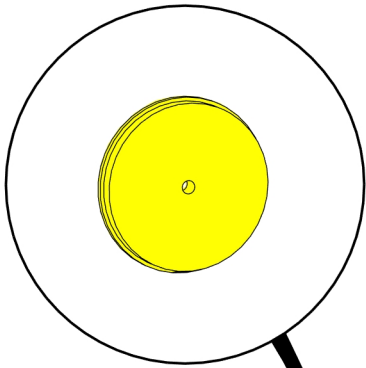
3xScrew M4*8



2x Screw M4*22

8x Screw M4*14

6x Nylon Lock Nut 4mm



Not include parts list
but we provide stl file

